

Installation Instructions

This document describes the installation, programming, testing, and troubleshooting procedures for installing Concord security systems with software version 2.5.

Concord Concord RF (with Software Version 2.5)

Document Number: 466-1512-01 Rev. B
December 2001

Contents

| | | | |
|---|----|---|----|
| About This Manual | 1 | Connecting Alphanumeric and Fixed Display Touchpads | 11 |
| Special Installation Requirements | 1 | Installing SuperBus 2000 Modules | 11 |
| UL Listed Installations | 1 | SuperBus 2000 RF Receiver (60-764-01-95R-16Z/32Z/MAX) | 12 |
| Central Station Reporting | 1 | SuperBus 2000 Phone Interface/Voice Module (60-777-01) | 12 |
| UL Canada Listed Installations | 2 | SuperBus 2000 Energy Saver Module (60-620-01) | 13 |
| California State Fire Marshall Listed Installations | 2 | SuperBus 2000 8Z Input Module (60-774) | 14 |
| Planning the Installation | 2 | SuperBus 2000 4-Relay Output Module (60-770) | 14 |
| Standard Panel | 2 | SuperBus 2000 Cellular Backup Module | 14 |
| SuperBus 2000 Touchpads | 2 | SuperBus 2000 Automation Module | 15 |
| SuperBus 2000 RF Receivers | 2 | Setting Device Address on SuperBus 2000 Devices | 15 |
| Power Line Carrier Card | 2 | Installing an RJ-31X Phone Jack (13-081) | 15 |
| Phone Supervision Card | 3 | Connecting the Phone Line to the Panel with a DB-8 Cord | 15 |
| Supervised Wireless Siren | 3 | Connecting the AC Power Transformer | 16 |
| SuperBus 2000 Phone Interface/Voice Module | 3 | Powering Up the Panel | 16 |
| SnapCards | 3 | Programming the Panel | 16 |
| SuperBus 2000 8Z Input Module (HIM) | 3 | Entering Program Mode | 17 |
| SuperBus 2000 4-Relay Output Module (HOM) | 3 | Touchpad Button Programming Functions | 17 |
| Interrogator 200 Audio Verification Module | 3 | Moving Through Program Mode Tiers and Menus | 17 |
| SuperBus 2000 Cellular Backup Module | 3 | Programming Tier 1 Menu Items | 18 |
| SuperBus 2000 Automation Module | 3 | Programming Tier 2 Menu Items | 19 |
| Installing the System | 3 | Using Shortcut Numbers | 19 |
| Determine the Panel Location | 3 | Security Menu | 19 |
| Total System Power and Wire Length Guidelines | 4 | Phones Menu | 21 |
| Mounting the Panel | 5 | Phone Options Menu | 25 |
| Identify Panel Components | 5 | Timers Menu | 28 |
| Installing Antennas | 6 | Light Control Menu | 30 |
| Connecting the Panel to Earth Ground | 6 | Touchpad Options Menu | 30 |
| Installing the Optional Power Line Carrier Card (60-755) | 6 | Reporting Menu | 31 |
| Installing the Optional Phone Supervision Card (60-789) | 6 | Siren Options Menu | 35 |
| Installing Optional SnapCards | 7 | Sensors Menu | 36 |
| Connecting Detection Devices to Panel Zone Inputs | 7 | Audio Verification Menu | 38 |
| Connecting Intrusion Detection Devices | 7 | Accessory Modules Menu | 39 |
| Connecting 2-Wire Smoke Detectors | 7 | Onboard Options Menu | 42 |
| Connecting 4-Wire Smoke Detectors | 8 | Exiting Programming Mode | 43 |
| Connecting Speakers | 8 | Entering User Programming Mode | 44 |
| 15-Watt Speaker (13-060) | 9 | Time and Date Menu | 44 |
| Hardwire Interior Speaker (60-528) | 9 | User Codes Menu | 44 |
| Connecting Piezo Sirens | 9 | Options Menu | 45 |
| Exterior Sirens | 9 | Set Up Schedules Menu | 46 |
| Interior Sirens | 10 | Attach Schedules to Events Menu | 47 |
| Installing Supervised Wireless Sirens (60-736-95) | 10 | Energy Saver Menu | 48 |
| Connecting an Interrogator 200 Audio Verification Module (60-677) | 11 | Attach Lights to Sensors Menu | 48 |

| | | | |
|---|----|--|----|
| System Version Menu | 49 | Adjusting Touchpad Display Contrast | 52 |
| Downloader Programming | 49 | Testing Audio Verification Module (AVM) | |
| ToolBox Downloader Programming | 49 | Communication | 52 |
| Testing the System | 49 | Testing Cellular Backup Communication | 52 |
| Basic System Commands | 49 | Troubleshooting | 55 |
| Testing Zones/Sensors | 50 | Appendix A: System Planning Worksheets | 61 |
| If a Wireless Sensor Does Not Test | 50 | Appendix B: Reference Tables | 67 |
| Testing Phone Communication | 50 | Appendix C: Settings | 75 |
| Testing Central Station/Pager Communication | 50 | System Wiring Notes..... | 81 |
| Testing Outputs and Sirens | 51 | | |
| Testing Light Control | 51 | | |
| Testing the Energy Saver Module (ESM) | 51 | | |
| Changing Fixed Display LCD Touchpad Chime and | | | |
| Trouble Beep Tones | 52 | | |

FCC Notices

FCC Part 15 Information to the User

Changes or modifications not expressly approved by Interlogix Inc. can void the user's authority to operate the equipment.

FCC Part 15 Class A (Commercial)

This equipment has been tested and found to comply with the limits for a class A digital device, pursuant to part 15 of the FCC rules. These limits are designed to provide reasonable protection against harmful interference when the equipment is operated in a commercial environment.

This equipment generates, uses, and can radiate radio frequency energy and, if not installed and used in accordance with the instruction manual, may cause harmful interference to radio communications. Operation of this equipment in a residential area is likely to cause harmful interference in which case users will be required to correct the interference at their own expense.

FCC Part 15 Class B (Residential)

This equipment has been tested and found to comply with the limits for a Class B digital device, pursuant to part 15 of the FCC Rules. These limits are designed to provide reasonable protection against interference in a residential installation.

This equipment generates, uses, and can radiate radio frequency energy and, if not installed and used in accordance with the instructions, may cause harmful interference to radio communications. However, there is no guarantee that interference will not occur in a particular installation.

If this equipment does cause harmful interference to radio or television reception, which can be determined by turning the equipment off and on, the user is encouraged to try to correct the interference by one or more of the following measures:

- Install a quality radio or television outdoor antenna if the indoor antenna is not adequate.
- Reorient or relocate the receiving antenna.
- Increase the separation between the equipment and receiver.
- Move the panel away from any wire runs to the affected equipment.
- Connect the affected equipment and the panel receiver to separate outlets, on different branch circuits.
- Consult the dealer or an experienced radio/TV technician for help.
- Send for the FCC booklet *How to Identify and Resolve Radio-TV Interference Problems*, available from the U.S. Government Printing Office, Washington, D.C. 20402. Stock Number: 004-000-00345-4.

FCC Part 68

This equipment complies with Part 68 of the FCC Rules. Located on this equipment is a label that contains, among other information, the FCC registration number and the ringer equivalence number (REN) for this equipment. If requested, this information must be provided to the telephone company.

The REN is used to determine the maximum number of devices that may be connected to your telephone line. In most areas, the sum of all device RENs should not exceed five (5.0).

If this equipment causes harm to the telephone network, the telephone company may temporarily disconnect your service. If possible, you will be notified in advance. When advance notice is not practical, you will be notified as soon as possible. You will also be advised of your right to file a complaint with the FCC.

Your telephone company may make changes in its facilities, equipment, operations, or procedures that could affect the proper operation of your equipment. You will be given advanced notice in order to maintain uninterrupted service.

If you experience trouble with this equipment, please contact the company that installed the equipment for service and repair information. The telephone company may ask you to disconnect this equipment from the network until the problem has been corrected or you are sure that the equipment is not malfunctioning.

This equipment may not be used on coin service provided by the telephone company. Connection to party lines is subject to state tariffs.

Declaration of Conformity (DoC)

Interactive Technologies, Inc. declares that the ITI model no. 60-792-95R is in conformity with Part 15 of the FCC Rules. Operation of this product is subject to the following two conditions: (1) This device may not cause harmful interference, and (2) this device must accept any interference received, including interference that may cause undesired operation.

Canada Notice

The Canadian Department of Communications label identifies certified equipment. This certification means that the equipment meets certain telecommunications network protective, operational, and safety requirements. The department does not guarantee the equipment will operate to the user's satisfaction.

Before installing this equipment, users should ensure that it is permissible to be connected to the facilities of the local telecommunications company. The equipment must also be installed using an acceptable method of connection. In some cases, the company's inside wiring associated with a single-line individual service may be extended by means of a certified connector assembly (telephone extension cord). The customer should be aware that compliance with the above conditions may not prevent degradation of service in some situations.

Repairs to certified equipment should be made by an authorized Canadian maintenance facility designated by the supplier. Any repairs or alterations made by the user to this equipment, or equipment malfunctions, may give the telecommunications company cause to request the user to disconnect the equipment.

For your protection, make sure that the electrical ground connections of the power utility, telephone lines, and internal metallic water pipe system, if present, are connected together.

Caution

Do not attempt to make connections yourself. Contact the appropriate electrician or electric inspections authority.

The Load Number (LN) assigned to each terminal device denotes the percentage of the total load to be connected to a telephone loop that is used by the device to prevent overloading. The termination on a loop may consist of any combination of devices subject only to the requirement that the total of the LNs of all the devices does not exceed 100. Load Number: 0.2B AC

“AVIS: - L'étiquette du ministère des Communications du Canada identifie le matériel homologué. Cette étiquette certifie que le matériel est conforme à certaines normes de protection, d'exploitation et de sécurité des réseaux de télécommunications. Le ministère n'assure toutefois pas que le matériel fonctionnera à la satisfaction de l'utilisateur.

Avant d'installer ce matériel, l'utilisateur doit s'assurer qu'il est permis de le raccorder aux installations de l'entreprise locale de télécommunication. Le matériel doit également être installé en suivant une méthode acceptée de raccordement. Dans certains cas, les fils intérieurs de l'entreprise utilisés pour un service individuel à ligne unique peuvent être prolongés au moyen d'un dispositif homologué de raccordement (cordon prolongateur téléphonique interne). L'abonné ne doit pas oublier qu'il est possible que la conformité aux conditions énoncées ci-dessus n'empêche pas la dégradation du service dans certaines situations. Actuellement, les entreprises de télécommunication ne permettent pas que l'on raccorde leur matériel à des jacks d'abonné, sauf dans les cas précis prévus par les tarifs particuliers de ces entreprises.

Les réparations de matériel homologué doivent être effectuées par un centre d'entretien canadien autorisé désigné par le fournisseur. La compagnie de télécommunications peut demander à l'utilisateur de débrancher un appareil à la suite de réparations ou de modifications effectuées par l'utilisateur ou à cause de mauvais fonctionnement.

Pour sa propre protection, l'utilisateur doit s'assurer que tous les fils de mise à la terre de la source d'énergie électrique, des lignes téléphoniques et des canalisations d'eau métalliques, s'il y en a, sont raccordés ensemble. Cette précaution est particulièrement importante dans les régions rurales.

Avertissement. - L'utilisateur ne doit pas tenter de faire ces raccordements lui-même; il doit avoir recours à un service d'inspection des installations électriques, ou à un électricien, selon le cas”.

Une note explicative sur les indices de charge (voir 1.6) et leur emploi, à l'intention des utilisateurs du matériel terminal, doit être incluse dans l'information qui accompagne le matériel homologué. La note pourrait être rédigée selon le modèle suivant:

“L'indice de charge (IC) assigné à chaque dispositif terminal indique, pour éviter toute surcharge, le pourcentage de la charge totale qui peut être raccordée à un circuit téléphonique bouclé utilisé par ce dispositif. La terminaison du circuit bouclé peut être constituée de n'importe quelle somme des indices de charge de l'ensemble des dispositifs ne dépasse pas 100.”

L'Indice de charge de cet produit est _____.



SECURITY & LIFE SAFETY GROUP
CARDIO | EMS | SEC | ITI | RAILTEL | THERMAL

2266 Second Street North | North Saint Paul Mn | 55109 | 800-777-2624 | www.interlogixinc.com

©2001 Interlogix,™ Inc. ITI, SuperBus, and ITI Toolbox are registered trademarks of Interlogix, Inc. Interlogix, Concord, and SnapCard are trademarks of Interlogix, Inc. X-10 is a registered trademark of X-10 (USA), Inc.

About This Manual

This manual provides information for planning, installing, programming, and testing this security system. When necessary, this manual refers you to other documentation included with compatible peripherals.

Planning sheets are included for you to record hardware layout and software programming settings.

About the User's Guide

The *User's Guide* (466-1513-01) contains user worksheets that should be filled out during the installation and programming of the system. With two partition systems, a *User's Manual* for each partition is suggested.

Special Installation Requirements

This security system can be used as a fire warning system, an intrusion alarm system, an emergency notification system, or any combination of the three.

Some installations may require configurations dictated by city/state codes, insurance, or Underwriter's Laboratories (UL). This section describes the various component and configuration listings.

UL Listed Installations

This section describes the requirements for UL Listed installations.

Basic System

- Control Panel (60-734-01 or 60-792-01-95R)
- Backup Battery 12V 4 AH (60-681) or 12V 7 AH (60-680)
- SuperBus 2000 Fixed Display Touchpad (60-820), 2x16 LCD Touchpad (60-746-01), 2x20 LCD Touchpad (60-803), or 2x20 VFD Touchpad (60-804)
- Standard Class II 24 VAC, 30 VA Power Transformer (60-761), Class II 24 VAC, 30 VA Line Carrier Power Transformer (60-762), or Standard Class II 24 VAC, 50 VA Power Transformer (60-778), Class II 24 VAC, 50 VA Line Carrier Power Transformer (60-779)
- Interior Speaker Siren (60-528), Exterior Speaker Siren (13-060), Slim Line Hardwire Interior Siren (60-483-01) or Hardwire Exterior Siren (13-046)

Basic system may also include a SuperBus 2000 RF Receiver (60-764-01-95R-16Z) or (60-764-01-95R-32Z) or (60-764-01-95R-MAX).

Household Burglary Alarm System Unit (UL 1023)

Basic system, plus:

- Hardwire Magnetic Contact (13-068 or 13-071) or Wireless Learn Mode Door/Window Sensor (60-362)
- IMMEDIATE TROUBLE BEEPS set to on
- UL 98 OPTIONS set to on (see page 36)
- RECEIVER FAILURE set to on (if wireless devices are used)
- SIREN VERIFY set to on
- EXIT DELAY set to 60 seconds
- QUICK EXIT set to off
- EXIT EXTENSION set to off
- SIREN TIMEOUT set to 4 minutes or more

- ENTRY DELAY set to 45 seconds or less
- AC FAILURE set to on
- RF TX TIMEOUT set to 24 hours (if system includes a built in or SuperBus 2000 RF Receiver and wireless smoke sensors)

Household Fire Warning System (UL 985)

Basic system, plus:

- Hardwire Smoke Detector: *System Sensor models* 2100D, 2100TD, 2100S, 2100TS, 2400, or 2400TH learned into sensor group 26 or *Sentrol (ESL) models* 429AT, 521B or 521BXT learned into sensor group 26
- Wireless Smoke Sensor 60-506-319.5 or 60-838-95 learned into sensor group 26
- IMMEDIATE TROUBLE BEEPS set to on
- UL 98 OPTIONS set to on (see page 36)
- RECEIVER FAILURE set to on (if wireless devices are used)
- SIREN VERIFY set to on
- AC FAILURE set to on
- RF TX TIMEOUT set to 4 hours (if system includes a built in or SuperBus 2000 RF Receiver and wireless smoke sensors)

UL 1023 & 985 24-Hour Backup

- For 24-hour backup, the total current draw for all connected devices is limited to 90 mA (during normal standby conditions) using a 4.0 AH battery, or 190 mA (during normal standby conditions) using a 7.0 AH battery.

Commercial Burglary Alarm System Unit (Grade C UL 1610)

Basic system using Control Panel 60-801-01 plus:

- Hardwire Magnetic Contact (13-068 or 13-071) or Wireless Learn Mode Door/Window Sensor (60-499)
- ITI SAW PIR Sensor (60-639-95R), ITI Crystal PIR Sensor (60-703-95R), or DS924i PIR Sensor (60-511-01-95)
- IMMEDIATE TROUBLE BEEPS set to on
- UL 98 OPTIONS set to on (see page 36)
- RECEIVER FAILURE set to on (if wireless devices are used)
- RF TX TIMEOUT set to 4 hours
- 24-HOUR TAMPER set to on
- SYSTEM TAMPER set to on
- AUTO PHONE TEST set to on
- PHONE TEST FREQ. set to 1
- NEXT PHONE TEST set to 1
- SIREN VERIFY set to on
- AC FAILURE set to on

UL 1610 24-Hour Backup

- Same as UL 1023 & 985

UL 1635 Digital Alarm Communicator System

- Same as UL 1023 & 985

Central Station Reporting

The panel has been tested with the following central station receivers using SIA and Contact ID reporting formats:

- ITI CS-5000 Central Station Receiver

- ❑ Sur-Gard Central Station Receiver with models SG-DRL2A and SG-CPM2

UL Canada Listed Installations

This section describes the requirements for CUL (UL Canada) Listed installations.

Canadian Standards CSA Certified Accessories

Residential Burglary Alarm System Unit (ULC-S309)

Basic system as described for “UL Listed Installations” plus:

- ❑ Hardwire Magnetic Contact (13-068 or 13-071) or Wireless Learn Mode Door/Window Sensor (60-362)

Residential Fire Warning System Control Unit (ULC-S545-M89)

Basic system as described for “UL Listed Installations” plus:

- ❑ Hardwire Smoke Detector:
System Sensor models 2100D, 2100TD, 2100S, 2100TS, 2400, 2400TH learned into Sensor Group 26, or *Sentrol (ESL) models* 429AT, 521B, or 521BXT learned into sensor group 26
- ❑ Wireless Smoke Sensor 60-506-319.5 or 60-838-95 learned into sensor group 26
- ❑ IMMEDIATE TROUBLE BEEPS set to on
- ❑ RF TX TIMEOUT set to 4 hours (if system includes SuperBus 2000 RF Receiver and wireless smoke sensors)

Note

For 24-hour backup, external power drain is limited to 90 mA (during normal standby condition) using a 4.0 AH battery, or 190 mA continuous using a 7.0 AH battery.

California State Fire Marshall Listed Installations

Same as Household Fire Warning System (UL 985), plus:

- ❑ SMOKE VERIFY must be set to off

Planning the Installation

This section describes system capabilities to help you get familiar with the system. “Appendix A” provides planning sheets with tables that let you record the hardware and programming configuration of the system. Fill in all necessary information ahead of time to help prepare for system installation.

When planning the installation, keep in mind that the panel has the following capabilities (dependent upon devices used):

- ❑ Up to 16 SuperBus 2000 Devices (maximum of 4 RF receivers)
- ❑ Up to 76 wireless or hardwired zones

Standard Panel

The following describe the basic panel (out-of-box) hardware capabilities.

- ❑ **Power:** Input for an AC step-down, plug-in style transformer.

- ❑ **Auxiliary Power Output:** Output that supplies 8.5 to 13.5 VDC with up to 1 amp (with panel powered by 30 VA transformer) or 2 amps (with panel powered by 50 VA transformer) for bus devices and hardwired detectors, such as smoke and motion detectors.
- ❑ **Bus A and B:** Input and output that provides communication between bus devices and the panel.
- ❑ **Siren Driver:** Output that can drive an 8-ohm load and provides intrusion and fire alarm sounds for partition 1.
- ❑ **2 Onboard Outputs:** Open-collector outputs that can be set up to activate other signalling devices, based on system events.
- ❑ **Microphone Input:** Input used for 2-way audio when used in conjunction with the Interrogator 200 Audio Verification Module.
- ❑ **8 Supervised Hardwire Zones:** Inputs for various hardwired detectors. Zone 8 can be set up in programming to accept 2-wire smoke detectors.
- ❑ **Built-In SuperBus 2000 Receiver (60-792-01-95R only):** Allows use of up to 16 or 32 ITI 319.5 MHz. crystal and/or SAW Learn Mode wireless sensors and touchpads. Also allows supervision of Supervised Wireless Sirens.
- ❑ **Phone Line Connection:** Allows panel to communicate with central monitoring station and/or pagers.

SuperBus 2000 Touchpads

The following describes the different touchpads that can be used for system programming and operation.

- ❑ **SuperBus 2000 Fixed Display Touchpad:** Provides operation control and user-programming access (*not installer/dealer programming*). Displays system messages and indicates system status.
- ❑ **SuperBus 2000 2x16 LCD Touchpad:** Provides complete system programming and operation control. Displays system messages that prompt users for information when needed and indicates system status.
- ❑ **SuperBus 2000 2x20 LCD Touchpad:** Provides complete system programming and operation control. Large display shows system messages that prompt users for information when needed and indicates system status.
- ❑ **SuperBus 2000 2x20 VFD Touchpad:** Provides complete system programming and operation control. Large fluorescent display shows system messages that prompt users for information when needed and indicates system status.

SuperBus 2000 RF Receivers

These receivers expand system wireless zone capacity by 16, 32, or the maximum zones allowed by the panel. The receivers are compatible with all ITI 319.5 MHz. crystal and SAW Learn Mode wireless sensors, touchpads, and Supervised Wireless Sirens. You may connect up to 4 receivers to the panel.

Power Line Carrier Card

Adding this card (which requires that the panel be powered using a Power Line Carrier Transformer) adds the following capabilities to the system:

- ❑ Allows the use of Supervised Wireless Sirens.
- ❑ Allows the use of X-10 Powerhouse Lamp Modules for light control and light activation during alarms.

Phone Supervision Card

Adding this card allows the panel to check for the correct phone line voltage (partition 1 only), upon dialing the central station/pager number. The panel can also be programmed to check the phone line voltage automatically.

Supervised Wireless Siren

Supervised Wireless Sirens plug into any standard electrical outlet and produce status and alarm sounds. The panel sends signals to the siren through the Power Line Carrier Card and Line Carrier Power Transformer, through the AC electrical wiring.

The siren has a built-in transmitter that is used for supervising with the panel. With the siren transmitter learned into panel memory (panels with receivers), the siren can notify the panel if it is unplugged, stops receiving panel signals, or has a low backup battery.

SuperBus 2000 Phone Interface/Voice Module

This module allows system access and control using touch-tone telephones, on- or off-site. The module includes an output for a speaker that sounds system status and alarm voice messages.

SnapCards

The following SnapCards expand the system as described:

- 8Z Input SnapCard:** Provides eight additional hardwire zone inputs, of which two are dedicated for using two wire smoke detectors.
- 4 Output SnapCard:** Provides four form C relay outputs that can be set up to activate other signalling devices, based on system events, schedules, or direct control.
- 4Z Input/2 Output Combo SnapCard:** Provides three hardwire zone inputs, one two wire smoke detector loop, and two outputs that can be set up to activate other signalling devices, based on system events, schedules, or direct control.

SuperBus 2000 8Z Input Module (HIM)

Provides eight additional hardwire zone inputs.

SuperBus 2000 4-Relay Output Module (HOM)

Provides four form C relay outputs that can be set up to activate other signalling devices, based on system events.

Interrogator 200 Audio Verification Module

Adding this module allows central station operators to listen-in and talk to occupants on the premises to verify the emergency when an alarm report is received.

SuperBus 2000 Cellular Backup Module

Provides central station communication via cellular transmission as a backup to regular phone line(s).

SuperBus 2000 Automation Module

Provides a connection to a compatible home automation device.

Installing the System

This section describes how to install the system control panel. Before starting the installation, plan your system layout and programming using the worksheets provided in Appendix A.

Installing the system consists of the following:

- Determining the Panel Location
- Determining Total System Power and Wire Length Guidelines
- Mounting the Panel
- Identifying Panel Main Components
- Installing the Optional Power Line Carrier Card
- Installing Optional SnapCards
- Connecting Detection Devices to Panel Zone Inputs
- Connecting Speakers
- Connecting Piezo Sirens
- Connecting an Interrogator 200 Audio Verification Module
- Connecting Alphanumeric and Fixed Display Touchpads
- Installing SuperBus 2000 Modules
- Installing an RJ-31X Phone Jack
- Connecting the Phone Line to the Panel with a DB-8 Cord
- Connecting the AC Power Transformer
- Powering Up the Panel

Determine the Panel Location

Before permanently mounting the panel, determine panel location using the following guidelines:

- Centrally locate the panel with relation to detection devices whenever possible, to help reduce wire run lengths and labor.
- Locate the panel where the temperature will not exceed 120°F (49°C) or fall below 32°F (0°C).
- Avoid running wires parallel with electrical wiring or fixtures such as fluorescent lighting, to prevent wire runs from picking up electrical noise.
- Mount the panel at a comfortable working height (about 45 to 55 inches from the floor to the bottom of the panel, as shown in Figure 1).
- Leave space to the left and right of the panel for wiring, phone jack, and mounting optional modules.
- For wireless panels or hardwire panels that include a SuperBus 2000 RF Receiver, allow at least 9 inches above the panel cabinet for antennas.
- Allow at least 24 inches in front of the panel to open the panel door.

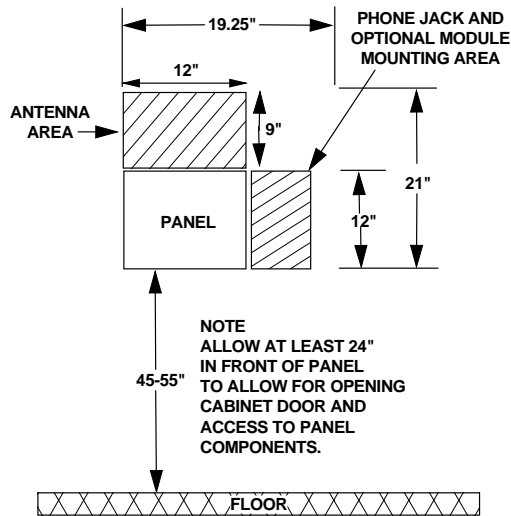


Figure 1. Determining Panel Location

Total System Power and Wire Length Guidelines

Note

(A) Class 2, Class 3, and power-limited fire alarm circuits must be installed using FPL, FPLR, FPLP, or substitute cable permitted by the National Electrical Code ANSI/NFPA 70. Wire that extends beyond the cable jacket must be separated from all other conductors by a minimum of 1/4-inch or by a nonconductive barrier.

OR

(B) Class 2, Class 3, and power-limited fire alarm circuit conductors must be installed as Class 1 or higher circuits.

Power

The panel can supply up to 1 amp (1,000 mA) when powered by the 24 VAC, 30 VA transformer or up to 2 amps (2,000 mA) when powered by the 24 VAC, 50 VA transformer for system devices.

Wire Length

The total system wire length allowed can vary depending on devices powered by the panel, the wire length between devices and the panel, and the combined wire length of all devices.

Table 1 describes the maximum wire length allowed between compatible devices and the panel, including the maximum current draw of each device.

Table 1: Maximum Device Wire Length and Current Draw

| Device | Max. Wire Length to Panel | Max. mA Draw |
|--|----------------------------------|--------------|
| SuperBus 2000 2x16 LCD Alphanumeric Touchpad | 22 ga.—300 ft. 18 ga.—750 ft. | 90 mA |
| SuperBus 2000 2x20 LCD Alphanumeric Touchpad | 22 ga.—250 ft. 18 ga.—600 ft. | 120 mA |

Table 1: Maximum Device Wire Length and Current Draw (Continued)

| Device | Max. Wire Length to Panel | Max. mA Draw |
|--|---|--------------|
| SuperBus 2000 2x20 VFD Alphanumeric Touchpad | 22 ga.—250 ft. 18 ga.—600 ft. | 120 mA |
| SuperBus 2000 Fixed Display Touchpad | 22 ga.—300 ft. 18 ga.—700 ft. | 65 mA |
| SuperBus 2000 RF Receiver | 22 ga.—1,100 ft. 18 ga.—2,800 ft. | 30 mA |
| SuperBus 2000 Phone Interface/Voice Module | 22 ga.—40 ft. 18 ga.—120 ft. | 600 mA |
| Power Line Carrier Card | N/A | 110 mA |
| 4 Input/2 Output SnapCard | N/A | 185 mA* |
| 8Z Hardwire Zone Expander SnapCard | N/A | 230 mA* |
| 4 Output SnapCard | N/A | 130 mA* |
| SuperBus 2000 8Z Input Module | 22 ga.—1,800 ft. 18 ga.—4,000 ft. | 35 mA |
| SuperBus 2000 4-Relay Output Module | 22 ga.—350 ft. 18 ga.—900 ft. | 180 mA |
| SuperBus 2000 Energy Saver Module | 22 ga.—1,600 ft. 18 ga.—4,000 ft. | 20 mA |
| SuperBus 2000 Cellular Backup Module | Standard Power: 22 ga.—15 ft. 18 ga.—40 ft. | 1600 mA |
| | High Power 22 ga.—10 ft. 18 ga.—30 ft. | 1900 mA |
| SuperBus 2000 Automation Module | 22 ga.—1,500 ft. 18 ga.—4,000 ft. | 35 mA |
| Interrogator 200 | 22 ga.—3,200 ft. 18 ga.—4,500 ft. | 10 mA |
| Interrogator AVM | 22 ga.—110 ft. 18 ga.—260 ft. | 300 mA |

*Maximum current draw for the SnapCards does not include the load which may be applied to their auxiliary DC supply.

Table 2 describes the total system wire lengths allowed when installing systems using unshielded or shielded cable.

Table 2: Total System Wire Length Allowed

| Wire Type | Total System Wire |
|----------------------|-------------------|
| 18-gauge, unshielded | 4,500 ft. |
| 18-gauge, shielded | 3,000 ft. |
| 22-gauge, unshielded | 3,500 ft. |
| 22-gauge, shielded | 2,200 ft. |

Table 3 describes the minimum current draw of each device when the panel is operating only from the backup battery. For 24-hour backup, the total current draw of all SnapCards connected to the panel and devices connected to +12V BUS (panel terminal 4) is limited to 90 mA (during normal standby condition) using a 4.0 AH battery, or 190 mA (during normal standby condition) using a 7.0 AH battery.

Table 3: Minimum Device Current Draw

| Device | Min. mA Draw |
|--|--------------|
| SuperBus 2000 2x16 LCD Alphanumeric Touchpad | 15 mA |
| SuperBus 2000 2x20 LCD Alphanumeric Touchpad | 15 mA |
| SuperBus 2000 2x20 VFD Alphanumeric Touchpad | 15 mA |
| SuperBus 2000 Fixed Display Touchpad | 11 mA |
| SuperBus 2000 RF Receiver | 27 mA |
| SuperBus 2000 Phone Interface/Voice Module | 25 mA |
| Power Line Carrier Card | N/A |
| 4 Input/2 Output SnapCard | 20 mA |
| 8Z Hardwire Zone Expander SnapCard | 38 mA |
| 4 Output SnapCard | 1 mA |
| SuperBus 2000 8Z Input Module | 18 mA |
| SuperBus 2000 4-Relay Output Module | 12 mA |
| SuperBus 2000 Energy Saver Module | 20 mA |
| SuperBus 2000 Cellular Backup Module | 90 mA |
| SuperBus 2000 Automation Module | 30 mA |
| Interrogator 200 | 10 mA |
| Interrogator AVM | 45 mA |

After determining panel location, run all necessary wires to that location using the guidelines in Table 4.

Table 4: Wire Requirements

| Device | Wire Requirements |
|---|---|
| AC Power Transformer | 2-conductor, 18-gauge, 25 feet max |
| Earth Ground | Single conductor, 16-gauge solid, 25 feet max |
| Telephone (RJ-31X) | 4-conductor |
| Detection Devices | 2- or 4-conductor, 18- to 22-gauge, 300-ohms max loop resistance including device |
| Speakers | 2-conductor, 22-gauge, 175 feet max 2-conductor, 18-gauge, 440 feet max |
| SuperBus 2000 Devices | 4-conductor, 22- or 18-gauge |
| Interrogator 200 AVM Power and Microphone | 4-conductor, 22-gauge, shielded |
| 2-Wire Smoke Detectors | 2-conductor, 22-gauge, 330 feet max 2-conductor, 18-gauge, 830 feet max (based on 10-ohms max loop resistance plus a 2k-ohm, end-of-line resistor) |

Mounting the Panel

Use the following procedure to mount the panel to the wall or wall studs.



CAUTION

Make sure you are free of static electricity whenever you work on the panel with the cover open. To discharge any static, first touch the metal panel chassis, then stay in contact with the chassis when touching the circuit board. Using an approved grounding strap is recommended.

To mount the panel:

1. Open the panel door and remove the necessary wiring knockouts (see Figure 2). Be careful not to damage the circuit board.
2. Feed all wires through wiring knockouts and place the panel in position against the wall.
3. Level the panel and mark the top and bottom mounting holes (see Figure 2).
4. Install anchors where studs are not present.
5. Partially insert screws into the two top mounting hole locations, then hang the panel on the two screws.
6. Recheck for level, insert the two lower screws, and tighten all four mounting screws.

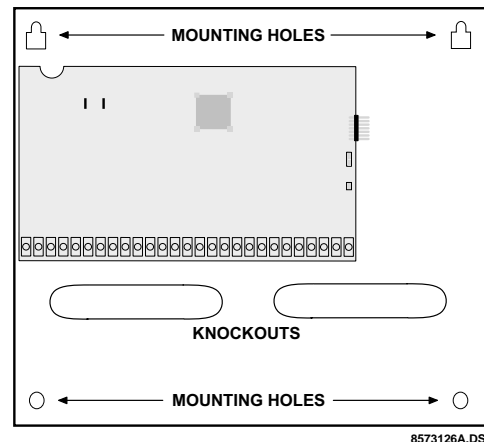


Figure 2. Mounting the Panel (Hardwire Panel Shown—Combination Hardwire/Wireless Panel Similar)

Identify Panel Components

Before installing devices and making wiring connections, familiarize yourself with the main panel components. Figure 3 shows the main component locations for the hardwire circuit board and Figure 4 shows the main component locations for the combination hardwire/wireless circuit board.

Hardwire Panel

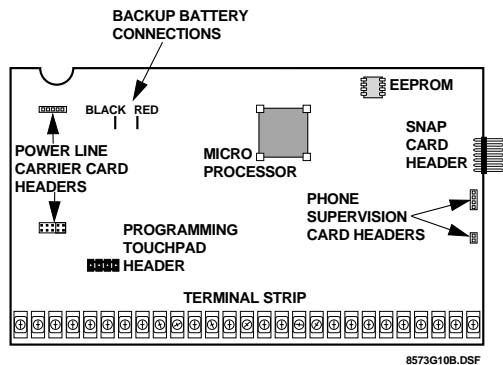


Figure 3. Hardwire Circuit Board Main Components

Combination Hardwire/Wireless Panel

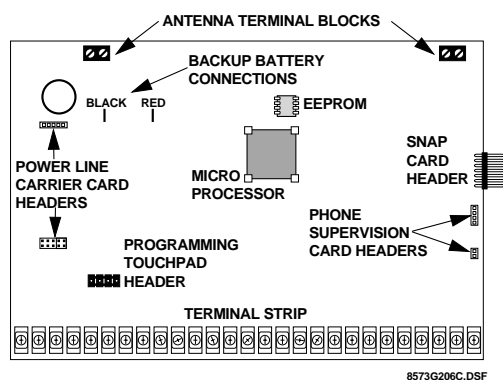


Figure 4. Combination Hardwire/Wireless Circuit Board Main Components

Installing Antennas

Install the antennas (included with panel) into the inside terminal of each antenna terminal block on the combination hardwire/wireless panel (see Figure 5).

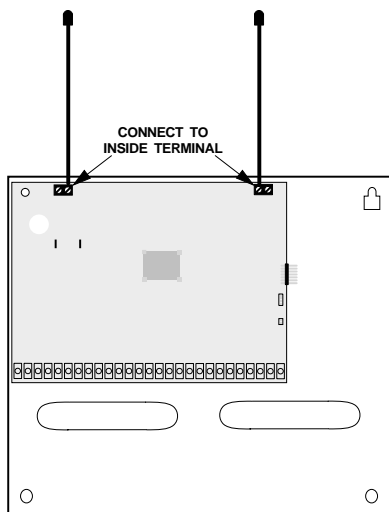


Figure 5. Installing the Antennas

Connecting the Panel to Earth Ground

For maximum protection from lightning strikes and transients, connect the lower-left circuit board screw to earth ground as shown in Figure 6. Use 16-gauge, solid copper

wire from an earth grounded cold water pipe clamp to the panel.

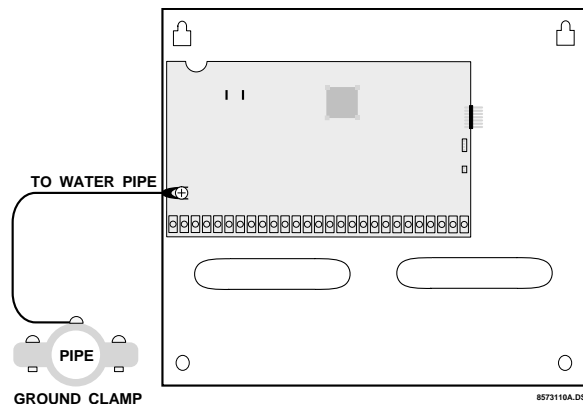


Figure 6. Connecting the Panel to Earth Ground (Hardwire Panel Shown—Combination Hardwire/Wireless Panel Similar)

Note

For best results, it is recommended that you crimp a spade lug on the wire end at the panel and secure the lug under the circuit board screw as shown in Figure 6.

Installing the Optional Power Line Carrier Card (60-755)

The Power Line Carrier card lets you add Supervised Wireless Sirens for alarm and status sounds and X-10 Lamp Modules for controlling lights.

Install the card on the header pins as shown in Figure 7. No wiring or programming is necessary.

Note

The lower header has two jumpers installed from the factory that must be removed before installing the Power Line Carrier Card. Leave these jumpers in place if you are not installing a Power Line Carrier Card.

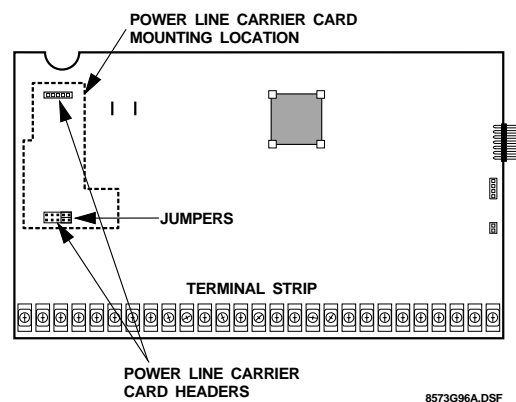


Figure 7. Installing the Power Line Carrier Card (Hardwire Panel Shown—Combination Hardwire/Wireless Panel Similar)

Installing the Optional Phone Supervision Card (60-789)

The Phone Supervision Card allows the panel to check the phone line voltage (partition 1 only), upon dialing the central station/pager number. The panel can also be programmed to

check the phone line voltage automatically (see “Line Fail Delay” on page 27).

Install the card on the header pins as shown in Figure 8.

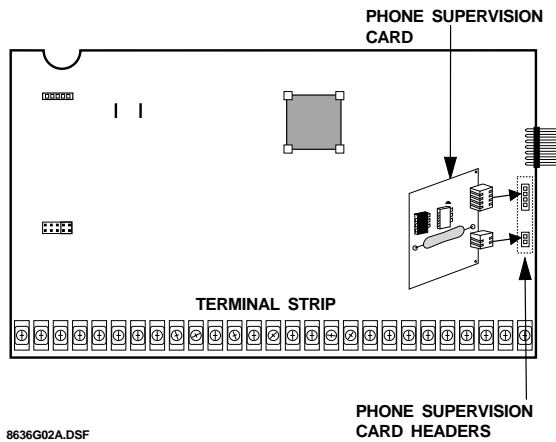


Figure 8. Installing the Phone Supervision Card (Hardwire Panel Shown—Combination Hardwire/Wireless Panel Similar)

Installing Optional SnapCards

The SnapCard Header on the right side of the panel allows for the installation of one SnapCard.

Install the desired SnapCard onto the panel SnapCard Header and secure it in place with two screws, included with the card (see Figure 9).

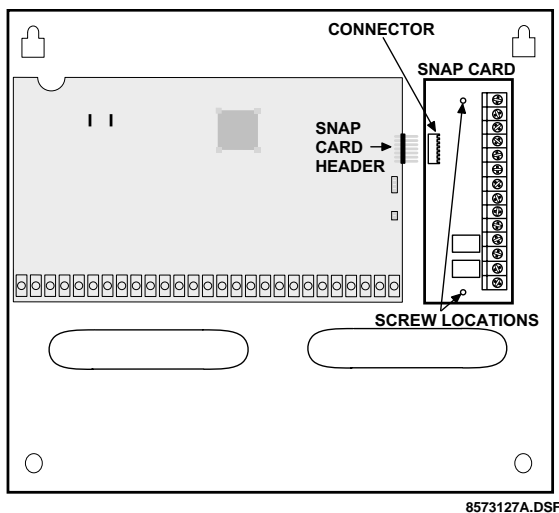


Figure 9. Installing a SnapCard into the Panel Expansion Connector (Hardwire Panel Shown—Combination Hardwire/Wireless Panel Similar)

Connect all necessary input/output wiring using the *Installation Instructions* included with the card.

Connecting Detection Devices to Panel Zone Inputs

Zone inputs 1 through 8 are supervised using included 2k-ohm, end-of-line resistors at the last device on each circuit.

All eight zones accept either normally open (N/O) or normally closed (N/C) detection devices.

Note

The panel comes with factory programmed onboard hardwire zones. Install 2k-ohm, end of line (EOL) resistors on all unused factory programmed onboard hardwire zones. If you don't want to install EOL resistors, delete any unused zones from memory. See Table 8 on page 37 for onboard hardwire zone factory programming.

Connecting Intrusion Detection Devices

Figure 10 shows the typical wiring for N/C and N/O door/window intrusion detection.

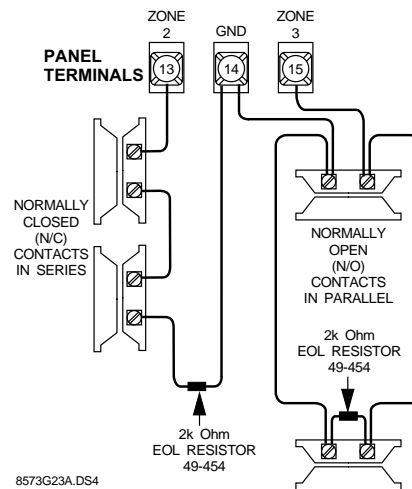


Figure 10. Connecting N/C and N/O Intrusion Detection Circuits to the Panel

Figure 11 shows the typical wiring for a Detection Systems model DS922 (ITI part no. 13-082) motion detector. The minimum available panel voltage for hardwired PIR motion detectors is 8.5 VDC (9.5 VDC for UL listed installations).

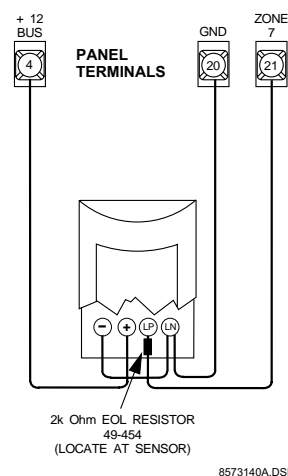


Figure 11. Connecting a Motion Detector to the Panel

Connecting 2-Wire Smoke Detectors

Zone input 8 can be set up (in program mode) to accept the following 12 VDC, 2-wire smoke detectors:

- *System Sensor models 2100D, 2100TD, 2100S, 2100TS,*

- 2400, 2400TH
- *Sentrol (ESL) models 429AT, 521B, 521BXT*—(models 521B and 521BXT require the following dip switch settings: 1-on, 2-off)

CAUTION

Use only the 2-wire smoke detector models described above. Alarm signals from other detectors may not be processed correctly if the panel has lost AC power and is operating only from the backup battery.

When set up for 2-wire smoke detectors, zone 8 can handle up to 10 smoke detectors with 120 uA maximum idle current per detector. Maximum total loop current allowed in an alarm condition is 100 mA.

Note

When using 2-wire smoke detectors on zone 8, the TWO-WIRE SMOKE setting (in program mode) must be turned on **before** entering the LEARN SENSORS menu. See *ONBOARD OPTIONS—INPUTS* in the section “Programming the Panel” for complete details.

Connect one or more, 2-wire smoke detectors to the panel as shown in Figure 12.

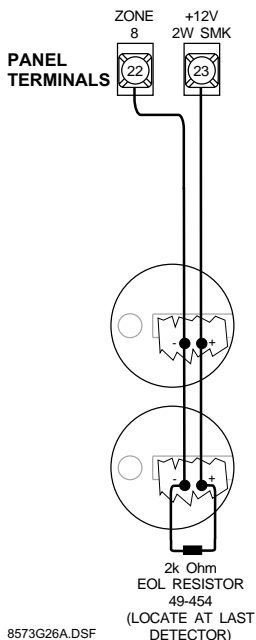


Figure 12. Connecting 2-Wire Smoke Detectors to the Panel

Connecting 4-Wire Smoke Detectors

Zone input 8 can be used with 4-wire smoke detectors that latch and remain in the alarm state until power is removed, then restored to the detector. The panel provides this power interruption from terminal 23 (2-wire smoke power +), provided that zone 8 is learned into sensor group 26 (fire).

Note

The TWO-WIRE SMOKE setting (in program mode) must be *off* when using 4-wire smoke detectors. See *ONBOARD OPTIONS—INPUTS* in the section “Programming the Panel” for complete details.

Table 5 describes the minimum available panel power. Use only 4-wire smoke detectors that operate at these power limits. Connect up to five Sentrol (ESL) model 449AT (ITI

part no. 13-360) smoke detectors to panel power and zone 8 input as shown in Figure 13.

Table 5: Panel Minimum Available Power

| Min. Voltage/Max. Current Available |
|---|
| 8.3 VDC, up to 30 mA total (combined alarm) current |
| 8.1 VDC, up to 40 mA total (combined alarm) current |
| 7.7 VDC, up to 60 mA total (combined alarm) current |
| 7.4 VDC, up to 80 mA total (combined alarm) current |

Note

Zone 8 must be learned into sensor group 26 (fire) for connected smoke detectors to reset after canceling a fire alarm.

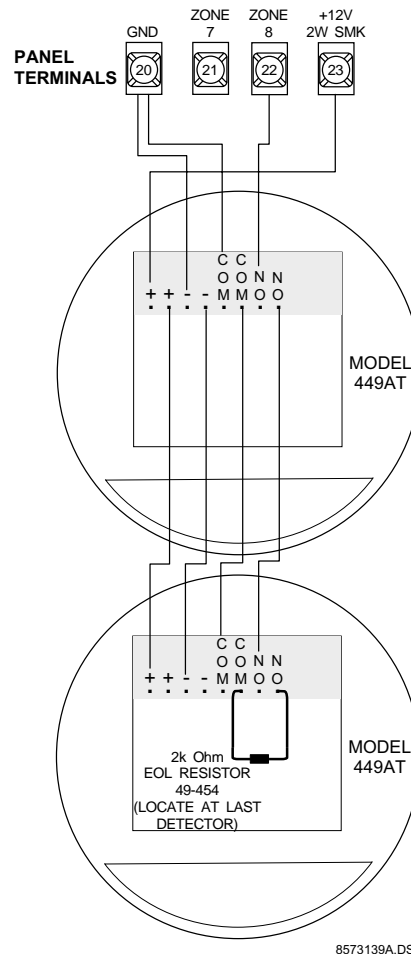


Figure 13. Connecting 4-Wire Smoke Detectors to Panel Power and Zone 8 Input

Connecting Speakers

The panel provides one siren driver output for intrusion (steady), fire (temporal 3), and auxiliary (on-off-on-off) alarm sounds. This output trips only for partition 1 alarms.

The output can drive a single 8-ohm speaker or multiple speaker circuit of 8-ohms or higher (as shown in the following speaker wiring diagrams). Compatible speakers are described on the following page.



CAUTION

To avoid disabling the panel speaker output, do not make speaker connections with the panel powered up.

15-Watt Speaker (13-060)

Use this speaker for exterior siren applications. Connect the speaker to the panel as shown in Figure 14.

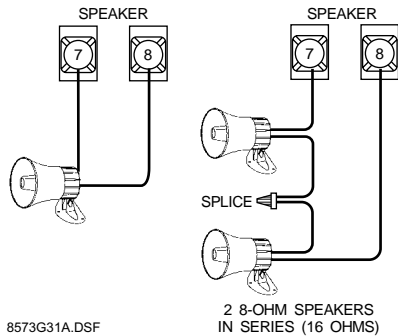


Figure 14. Connecting Speakers to the Panel

Hardwire Interior Speaker (60-528)

Use this speaker unit for interior siren applications. Connect the speaker to the panel as shown in Figure 15.



CAUTION

Connect only the large speaker to panel terminals 7 and 8 as shown. The smaller speaker cannot handle the output of terminals 7 and 8 and should not be connected, to avoid damaging the speaker.

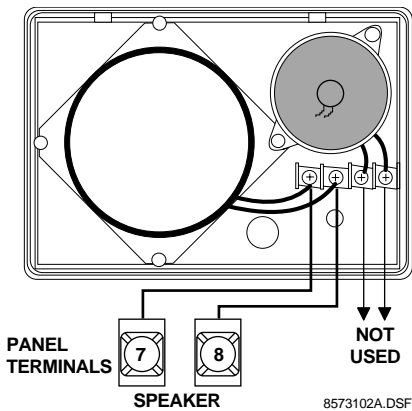


Figure 15. Connecting the Hardwire Interior Speaker w/ Dual Speakers to the Panel

Connect two units to the panel terminals with speakers in series (16-ohms), as shown in Figure 16.

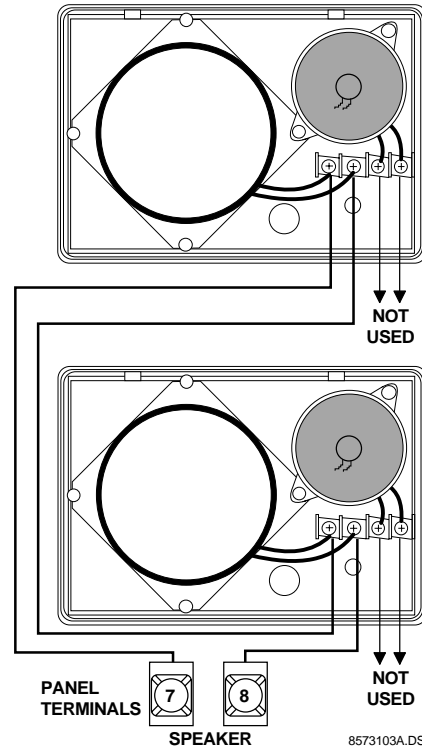


Figure 16. Connecting Two Hardwire Interior Speaker w/Dual Speaker Units to Panel Terminals

Connecting Piezo Sirens

Output 1

Onboard output 1 (OUT 1—terminal 9) is an open-collector (switched path-to-ground), programmable output that can handle a maximum of 200 mA current sink. The default setting (01614) activates the output 15 seconds after a police or fire alarm condition occurs. This allows you to connect a piezo siren without changing the output configuration number in programming. This output is typically used for exterior siren application.

Output 2

Onboard output 2 (OUT 2—terminal 10) is an open-collector (switched path-to-ground), programmable output that can handle a maximum of 200 mA current sink. The default setting (01710) activates the output for status and alarm tones, allowing for a piezo siren connection without changing the output configuration number. This output is typically used for interior siren application.

For more information on output configuration numbers, see “Onboard Options Menu” on page 42.

Exterior Sirens

Hardwire Exterior Siren (13-046)

Connect the siren to panel as shown in Figure 17.

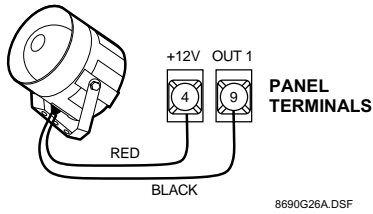


Figure 17. Connecting the Hardwire Exterior Siren to the Panel

Interior Sirens

Interior Piezo Siren (30-006)

Connect the piezo siren to the panel terminals with a 2k-ohm resistor, as shown in Figure 18.

Note

Piezo siren connections to terminal 10 require a 2k resistor that can be located at the panel, since it does not supervise the circuit.

If using an external power supply instead of panel terminal 4, the supply voltage must be limited to 9.5 VDC maximum and the negative side of the power supply must be connected to panel ground (terminal 3).

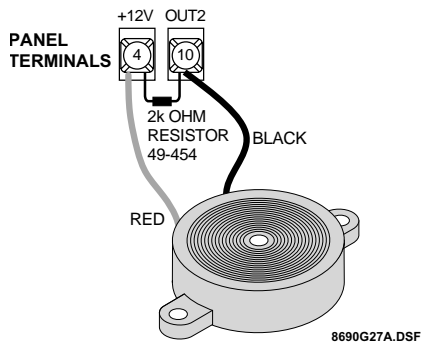


Figure 18. Connecting an Interior Piezo Siren

Slim Line Hardwire Interior Siren (60-483-01)

Connect the siren to the panel as shown in Figure 19.

Note

The volume switch settings inside the siren do not affect the siren output.

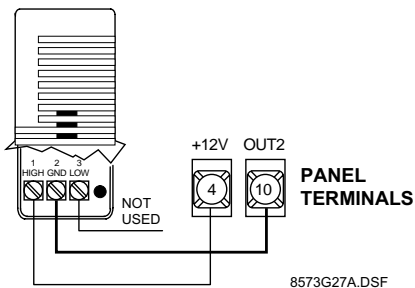
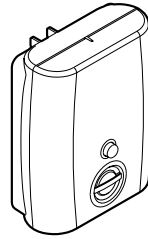


Figure 19. Connecting the Slim Line Hardwire Interior Siren to the Panel

Installing Supervised Wireless Sirens (60-736-95)



Supervised Wireless Sirens (SWS) plug directly into electrical outlets and are not wired to the panel. The panel (when powered by a line carrier power transformer) sends alarm and status messages to the siren, along the building AC wiring.

For supervised operation, the siren has a built-in transmitter that, when learned into panel memory, transmits to the panel receiver if the siren has a low battery or other trouble condition.

Before plugging in Supervised Wireless Sirens, the panel must be powered up and partition House Codes and the SWS Supervision Code set (in program mode) to the desired settings.

The following procedures describe the basic steps for installing Supervised Wireless Sirens. For complete installation details, refer to the *Supervised Wireless Siren Installation Instructions*, included with each siren.

Note

Regardless of supervised or unsupervised siren installation, you must follow the order of installation as described to avoid learning the wrong (or undesired) House Code and SWS Supervision Code into siren memory.

For unsupervised wireless siren installations:

1. Power up the panel (see “Powering Up the Panel”).
2. Enter program mode and set the partition House Code to the desired setting (see the *LIGHT CONTROL* menu in the section “Programming the Panel”).
3. Exit program mode.
4. Install the siren backup battery.
5. Plug the siren into an electrical outlet.
6. Press the STATUS button on any working touchpad. The siren should beep once and the siren LED should flash 5 times, indicating it has learned the partition House Code.
7. If the siren doesn’t beep or the LED doesn’t flash, reset the house code on the siren by pressing and holding its button for 20 seconds. The siren will beep three times when the memory has been cleared. Repeat step 6.

For supervised wireless siren installations:

Note

Hardwire Concord panels must have a SuperBus 2000 RF Receiver installed for supervised wireless siren operation.

1. Power up the panel (see “Powering Up the Panel”).
2. Install the siren backup battery.
3. Clear the siren memory by pressing and holding the siren button for 20 seconds. The siren will beep three times when the memory has been cleared.
4. Enter program mode and set the partition House Code to the desired setting (see the *LIGHT CONTROL* menu in the section “Programming the Panel”).
5. Proceed to the *SIREN OPTIONS* menu and set the SWS Supervision Code to the desired setting.

6. Proceed to the *LEARN SENSORS* menu and select the desired partition, sensor group 33, and the desired sensor number.
7. When the touchpad display shows *TRIP SENSOR nm*, plug the siren into an electrical outlet. The siren should beep once and the siren LED should flash 10 times, indicating the panel learned the siren transmitter ID and that the siren learned both the partition House Code and SWS Supervision Code.
8. Exit program mode.

Note

When installing Supervised Wireless Sirens for supervised operation, be sure to program sensor text that clearly identifies each siren. For example, *HALLWAY SIREN* or *BASEMENT SIREN*. This can help both you and your customer locate a specific siren if a problem occurs.

Connecting an Interrogator 200 Audio Verification Module (60-677)

Connect the Interrogator 200 Audio Verification Module (AVM) to the panel terminals as shown in Figure 20.

CAUTION

If a speaker is already connected to panel terminals 7 and 8, the Interrogator 200 speaker must be hooked up in series with that speaker to provide a 16-ohm load. Hooking up speakers in parallel to panel terminals 7 and 8 creates a 4-ohm load that can cause permanent damage to the panel.

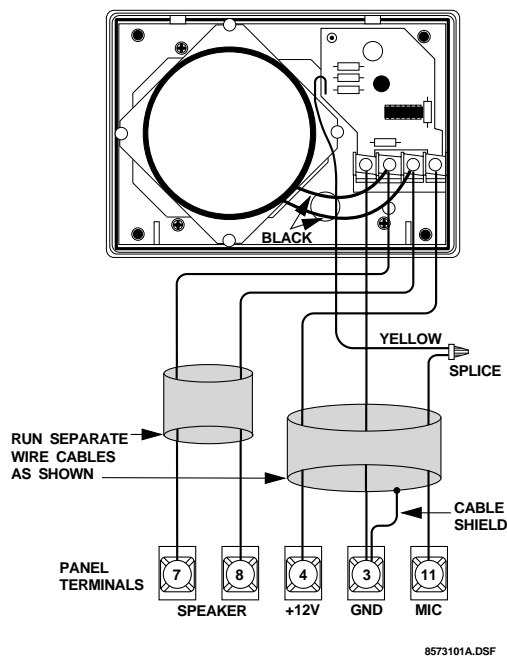


Figure 20. Connecting an Interrogator 200 AVM to the Panel (Partition 1 use only)

Connecting Alphanumeric and Fixed Display Touchpads

Alphanumeric and Fixed Display touchpads use the same color-coded wire scheme. Connect the touchpads to the panel power output and bus terminals as shown in Figure 21.

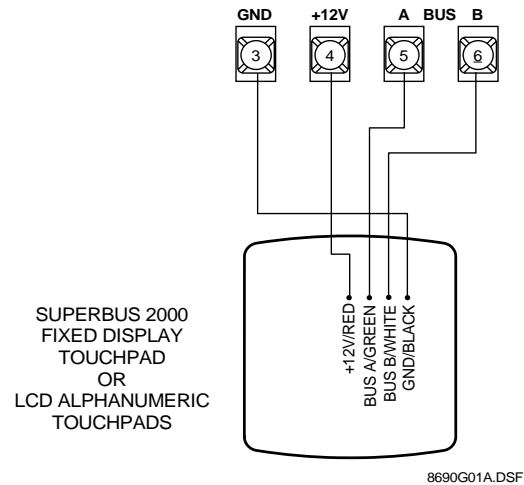


Figure 21. Connecting Alphanumeric and Fixed Display Touchpads to the Panel

Installing SuperBus 2000 Modules

SuperBus 2000 modules can be installed inside the panel cabinet or away from the panel. Use the following guidelines when installing modules inside the panel cabinet:

- ❑ Up to 16 bus modules can be connected to the panel. (15 modules for the RF panel since receiver counts as 1.)
- ❑ Up to 3 of the SuperBus 2000 modules listed in Table 1 (page 4) can be mounted inside the cabinet.
- ❑ The panel includes two support standoffs you install to secure module backplates to the panel (see Figure 22).

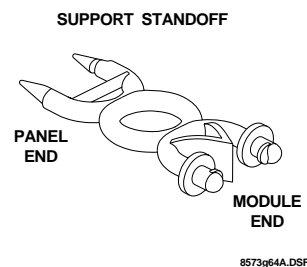


Figure 22. Support Standoff

- ❑ Install the standoffs at the locations shown in Figure 23.

Note

Even if you don't plan to mount modules inside the cabinet, install the support standoffs for future use and to avoid losing them.

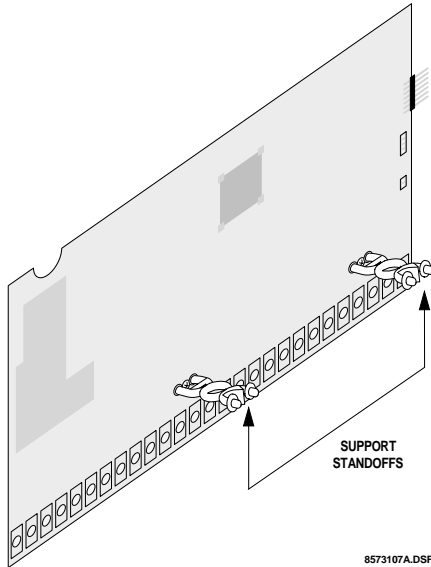


Figure 23. Installing the Support Standoffs (Hardware Panel Shown—Combination Hardwire/Wireless Panel Similar)

- ❑ The cabinet has built-in mounting clips on the top and sides that module backplates slide onto for mounting (see Figure 23).
- ❑ One SuperBus 2000 RF Receiver can be installed inside the cabinet, but it must be mounted on the right-hand side to accommodate the antennas (see Figure 24). Additional receivers must be installed outside the cabinet.

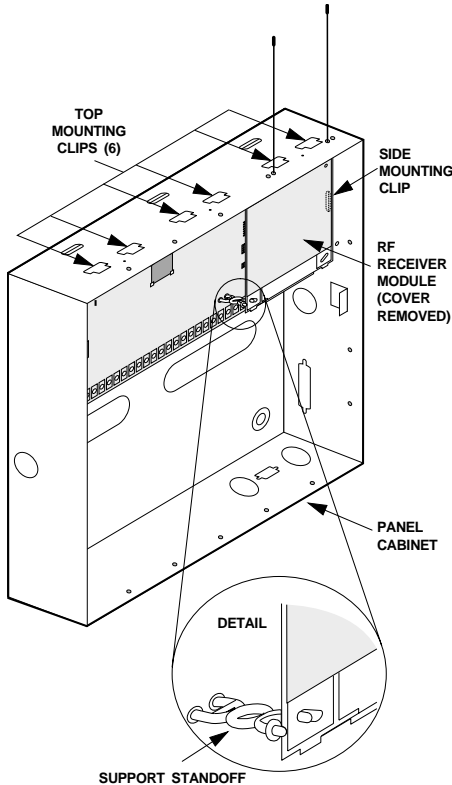


Figure 24. Mounting SuperBus 2000 Modules Inside the Cabinet (RF Receiver Shown)

SuperBus 2000 RF Receiver (60-764-01-95R-16Z/32Z/MAX)

1. Mount the receiver inside the cabinet enclosure as shown in Figure 24.
2. Connect the receiver to the panel as shown in Figure 25.

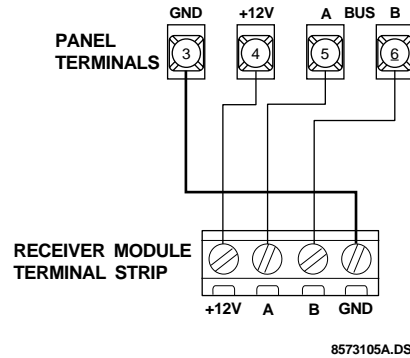
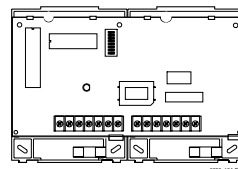


Figure 25. Connecting the SuperBus 2000 RF Receiver to the Panel Terminals

SuperBus 2000 Phone Interface/Voice Module (60-777-01)



The Phone Interface/Voice Module includes two backplates for mounting the module inside the control panel cabinet. The module can also be mounted outside of the control panel using an optional plastic housing (part no. 60-800). Refer to the *SuperBus 2000 Phone Interface/Voice Module Installation Instructions* included with each module, for complete mounting instructions.

Voice Module Installation Instructions included with each module, for complete mounting instructions.

Note

In UL Listed installations, the Phone Interface/Voice Module is for supplementary use only.

The module requires panel power and bus connections, phone line connection through panel terminals and DB-8 cord (from an RJ-31X jack), and speaker connection through panel terminals.

Wiring—Power

Connect the module to the panel power and bus terminals as shown in Figure 26.

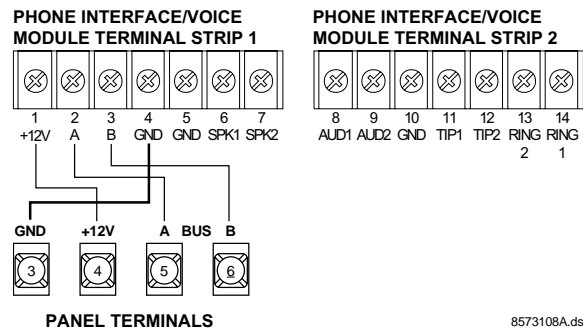


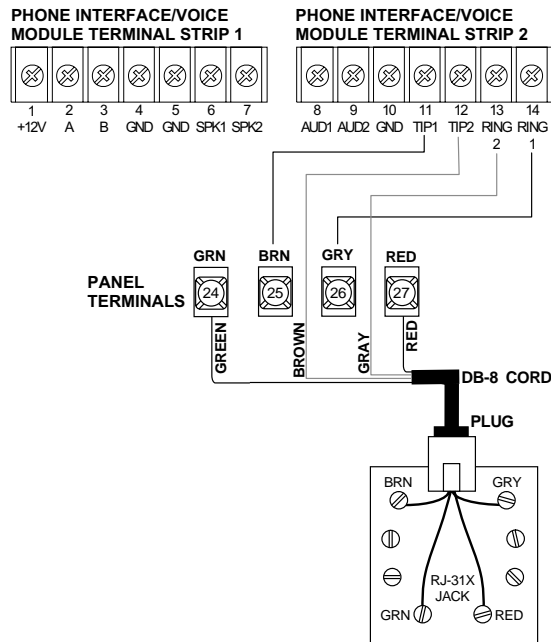
Figure 26. Connecting the Phone Interface/Voice Module to the Panel Power and Bus Terminals

Wiring—Phone Line

Connect the phone line to the module through the panel terminals and DB-8 cord (from an RJ-31X jack) as shown in Figure 27.

Note

For RJ-31X connections, see “Installing an RJ-31X Phone Jack (13-081)” on page 15.



8573109A.dsf

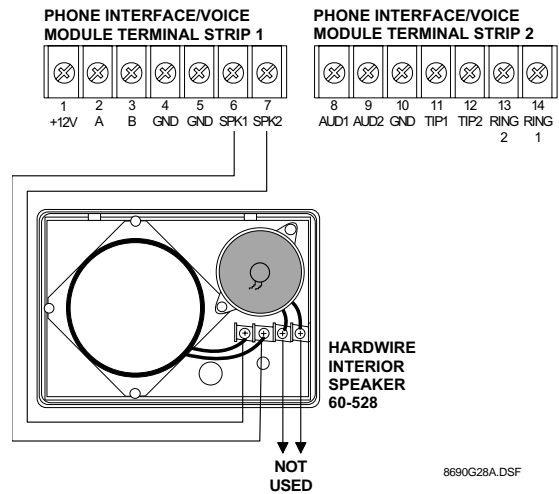
Figure 27. Connecting a Phone Line to the Module

Wiring—Speaker (Status Voice Messages Only)

Connect an interior speaker to the Phone Interface/Voice module terminals as shown in Figure 28. When connected as shown, the speaker only produces status voice messages. In an alarm situation the speaker will announce voice status messages.

Note

To prevent status voice messages from being broadcast outside, do not connect exterior speakers to Phone Interface/Voice module terminals 6 and 7.

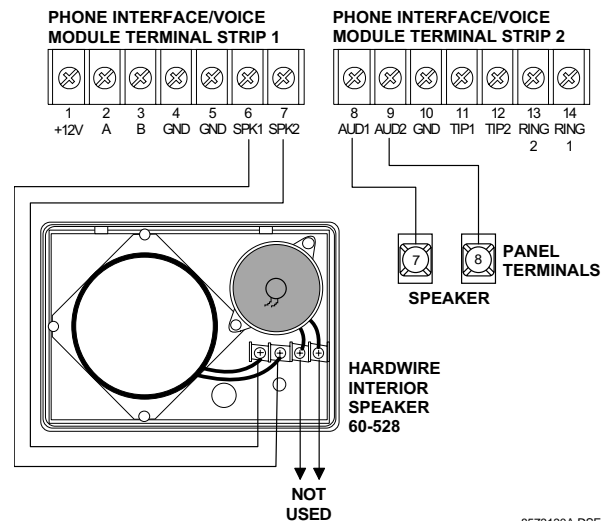


8690G28A.DSF

Figure 28. Connecting an Interior Speaker to the Phone Interface/Voice Module (Status Messages Only)

Wiring—Speaker (Status and Alarm Messages)

Make the following connection only if the Phone Interface/Voice module is being installed in partition 1 and alarm sounds are desired from the speaker connected to the terminals. In an alarm situation, the speaker will alternate between alarm siren tones and voice status messages.

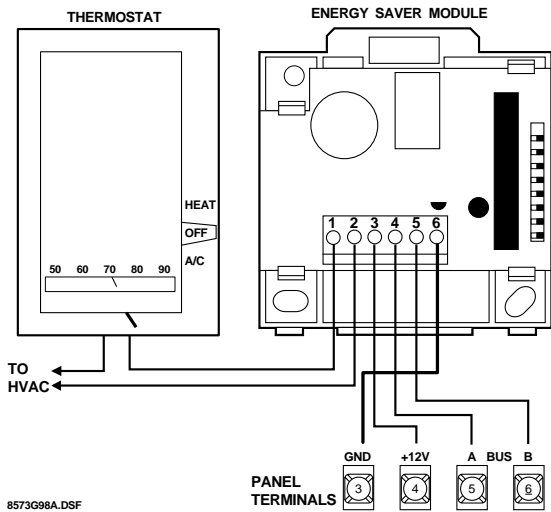


8573130A.DSF

Figure 29. Connecting an Interior Speaker to the Phone Interface/Voice Module (Status and Alarm Messages)

SuperBus 2000 Energy Saver Module (60-620-01)

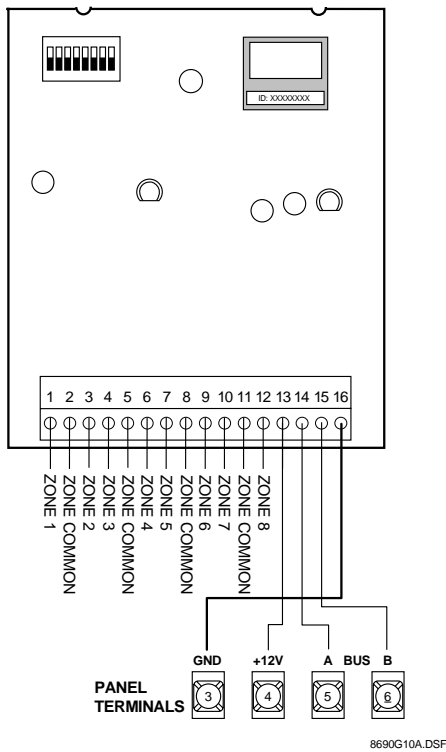
Connect the Energy Saver Module to the panel and premises thermostat as shown in Figure 30.



8573G98A.DSF
Figure 30. Connecting the Energy Saver Module to the Panel Terminals and Premises Thermostat

SuperBus 2000 8Z Input Module (60-774)

Connect the SuperBus 2000 8Z Input Module to the panel as shown in Figure 31.

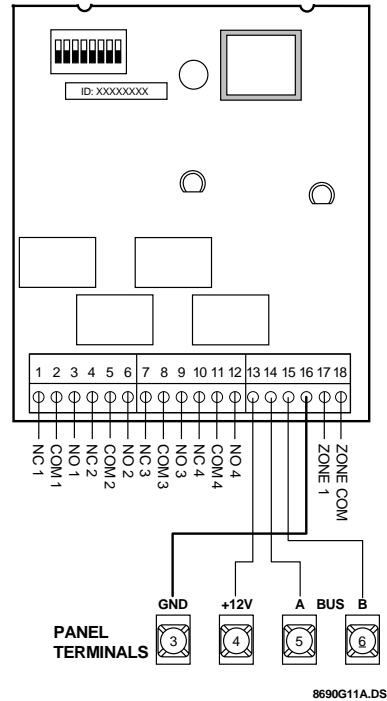


8690G10A.DSF
Figure 31. Connecting the 8Z Input Module to the Panel Terminals

Connect all necessary input wiring using the *Installation Instructions* included with module.

SuperBus 2000 4-Relay Output Module (60-770)

Connect the SuperBus 2000 4-Relay Output Module to the panel as shown in Figure 32.

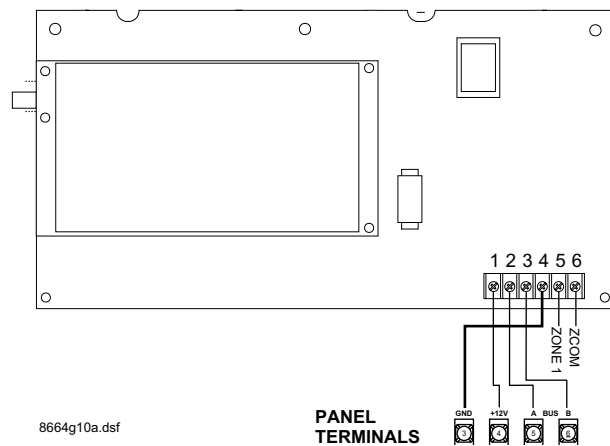


8690G11A.DSF
Figure 32. Connecting the 4-Relay Output Module to the Panel Terminals

Connect all necessary output wiring using the *Installation Instructions* included with the module.

SuperBus 2000 Cellular Backup Module

Connect the SuperBus 2000 Cellular Backup Module to the panel as shown in Figure 33.



8664g10a.dsf
Figure 33. Connecting the Cellular Backup Module to the Panel Terminals

SuperBus 2000 Automation Module

Connect the SuperBus 2000 Automation Module to the panel as shown in Figure 34.

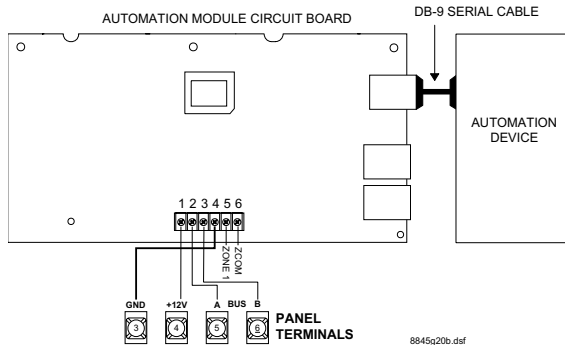


Figure 34. Connecting the SuperBus to the Panel Terminals

Setting Device Address on SuperBus 2000 Devices

When the panel is powered up it automatically assigns device addresses and unit numbers to SuperBus 2000 devices, enabling the panel and module to communicate.

Installing an RJ-31X Phone Jack (13-081)

Use the following guidelines when installing an RJ-31X phone jack for system control by phone and central station monitoring.

- ❑ Locate the RJ-31X jack (CA-38A in Canada) no further than five feet from the panel.
- ❑ The panel must be connected to a standard analog (loop-start) phone line, that provides 48 volts DC (on-hook or idle) which increases to 89 to 105 volts DC (ring voltage).

Note

The panel cannot be used on a digital or PBX phone line. These systems are designed for digital type devices only, operating anywhere from 5 volts DC and up. The panel uses an analog modem and does not have a digital converter, adapter, or interface to operate through such systems.

- ❑ For full line seizure, install an RJ-31X phone jack on the premises phone line so the panel is ahead of all phones and other devices on the line. This allows the panel to take control of the phone line when an alarm occurs, even if the phone is in use or off-hook.
- ❑ If an analog line is not available, contact your customer's telecommunications specialist and tell him/her you need an analog line off the phone switch (PBX mainframe) or a 1FB (standard business line).

Note

Connecting the panel to an analog line off the phone switch places the panel *ahead* of the phone system, preventing panel access from phones on the premises. However, the panel can still be accessed from off-site phones.

To connect a phone line to the panel using an

RJ-31X/CA-38A jack:

1. Run a 4-conductor cable from the TELCO protector block to the jack location (see **A** in Figure 35).
2. Connect one end of the cable to the jack (see **B** in Figure 35).
3. At the TELCO protector block, remove the premises phone lines (lines from phone jacks on premises) from the block and splice them to the black and white (or yellow) wires of the 4-conductor cable (see **C** in Figure 35).
4. Connect the green and red wires from the 4-conductor cable to the TIP (+) and RING (-) posts on the block (see **D** in Figure 35).

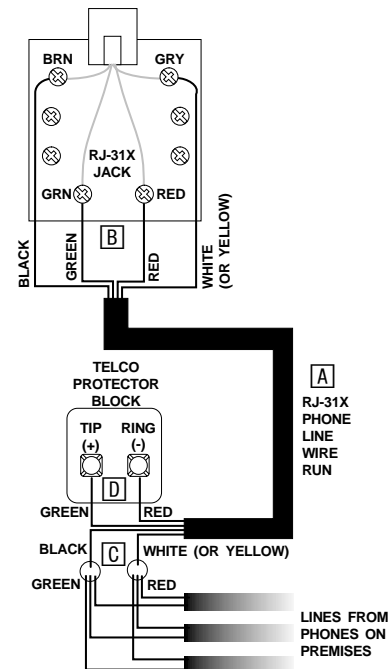


Figure 35. Installing an RJ-31X Phone Jack

5. Check the phones on the premises for dial tone and the ability to dial out and make phone calls. If phones do not work correctly, check all wiring and correct where necessary. Proceed to the "Troubleshooting" section of this manual if problems persist.

Connecting the Phone Line to the Panel with a DB-8 Cord

After installing the RJ-31X jack, you are ready to connect the phone line to the panel. A DB-8 cord (not included) uses a plug at one end for connecting to the RJ-31X module and flying leads on the other end for panel terminal connections.

To connect the DB-8 cord to the panel terminals and RJ-31X jack:

1. Connect the green, brown, gray, and red flying leads from the DB-8 cord to panel terminals 24, 25, 26, and 27 (see Figure 36).

- Insert the DB-8 cord's plug into the RJ-31X (see Figure 36).

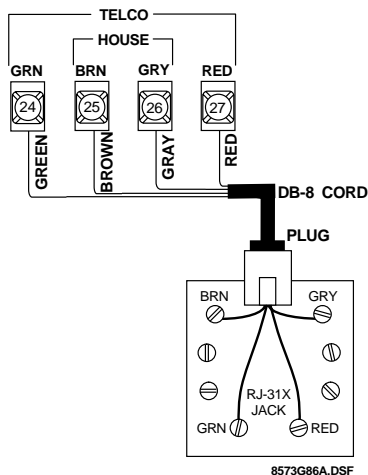


Figure 36. Connecting the DB-8 Cord to the Panel and RJ-31X Jack

- Check the phones on the premises for dial tone and the ability to dial out and make phone calls. If phones do not work correctly, check all wiring and correct where necessary. Proceed to the “Troubleshooting” section of this manual if problems persist.

Connecting the AC Power Transformer

The panel must be powered by a plug-in stepdown transformer that supplies 24 VAC, 30 VA (60-761) or 24 VAC, 50 VA (60-778).

For systems that include a Power Line Carrier card and Supervised Wireless Sirens, or X-10 Lamp Modules, the panel must be powered with the Line Carrier Power Transformer that supplies 24 VAC, 30 VA (60-762) or 24 VAC, 50 VA (60-779).

Connect the power transformer to the panel as shown in Figure 37.



CAUTION

Do not plug in the power transformer at this time. The panel must be powered up using the sequence of steps described in the next section, “Powering Up the Panel.”

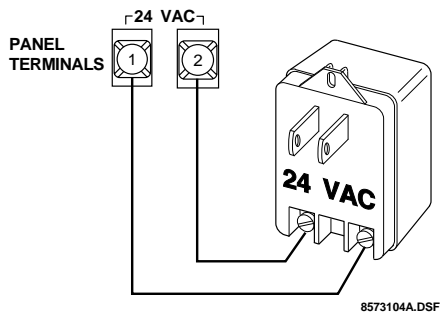


Figure 37. Connecting a Power Transformer to the Panel Terminals

Powering Up the Panel

After connecting and wiring all devices to the panel, you are ready to apply AC and backup battery power to the panel.

To power up the panel:

- Connect the red and black battery leads (included with panel) to the lugs located in the 8).

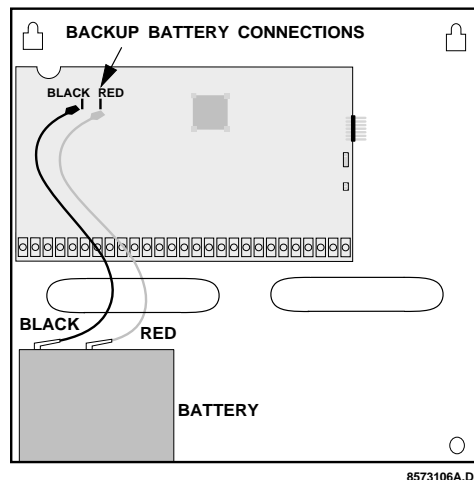


Figure 38. Connecting the Backup Battery to the Panel (Hardwire Panel Shown—Combination Hardwire/Wireless Panel Similar)

- Connect the other ends of the battery leads to the battery terminals.
- Plug the transformer into an outlet that is not controlled by a switch.

Alphanumeric touchpads display ******, then *SCANNING BUS DEVICES*, and finally a date and time display.

Note

If alphanumeric touchpads don't display anything, immediately unplug the transformer and disconnect the backup battery. Refer to the “Troubleshooting” section.

- To permanently mount the transformer, unplug it and remove the existing screw securing the AC outlet cover.

WARNING !

Use extreme caution when securing the transformer to a metal outlet cover. You could receive a serious shock if a metal outlet cover drops down onto the prongs of the plug while you are securing the transformer and cover to the outlet box.

- Hold the outlet cover in place and plug the transformer into the lower receptacle.
- Use the screw supplied with the transformer to secure the transformer to the outlet cover.

Programming the Panel

For on-site system programming, an alphanumeric touchpad is required.

Entering Program Mode

Entering program mode is done using an installer/dealer code (default = 4321). The system can be put into program mode only when the system is disarmed.

To enter program mode:

1. Make sure the system is disarmed in all partitions.
2. Press **[8] + [4][3][2][1] + [0] + [0]**. The touchpad shows *SYSTEM PROGRAMMING*.

To enter programming mode using a programming touchpad:

1. Connect the red, black, green, and white wires from the Programming Touchpad Cable (60-791) to the power and bus wires on an alphanumeric touchpad, matching the wire colors on each.
2. Make sure the system is powered up and disarmed.

Note

If the system is powered up *after* the programming touchpad is connected or if a bus command scan is executed, the programming touchpad will be “learned” into the system and must later be manually deleted. See “To delete learned Unit Numbers:” on page 39.

3. Connect the plug on the cable onto the panel programming touchpad header (see Figure 39).

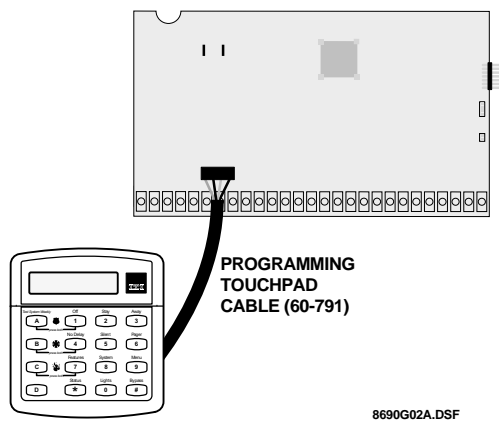


Figure 39. Connecting a Programming Touchpad

4. Press **[8] + [4][3][2][1] + [0] + [2]**. The touchpad sounds one short beep. Press **[*]** and verify that the display shows *SERVICE TOUCHPAD ACTIVE*.
5. Press **[8] + [4][3][2][1] + [0] + [0]** and the display shows *SYSTEM PROGRAMMING*.
6. After programming is completed, simply disconnect the touchpad from the panel header.

Touchpad Button Programming Functions

In program mode, touchpad buttons let you navigate to all installer programming menus for configuring the system. Table 6 describes the touchpad button functions in program mode.

Table 6: Touchpad Button Functions

| Button | Programming Function |
|----------------------|--|
| [#] | Selects menu item or data entry. |
| [*] | Deselects menu item or data entry (if pressed before #). |
| [A] & [B] | Scroll through available options at the current menu tier. Also scroll through sensor text options during sensor text programming. |
| [C] | Enters pauses when programming phone numbers. |
| [D] | Deletes certain programmed settings. |
| [0] thru [9] | Enter numeric values wherever needed. |
| [1] & [2] | Select off (1) or on (2) wherever needed. |
| [1] thru [6] | Press and hold to enter alphabetical characters A thru F for account numbers. |
| [7] & [9] | Press and hold to enter * (7) or # (9) for phone numbers. |

Moving Through Program Mode Tiers and Menus

There are two basic tiers of programming menus. Tier 1 menus are accessible immediately after entering program mode (see Figure 40).

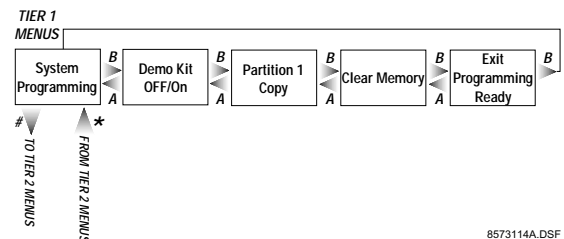


Figure 40. Tier 1 Program Menus

Arrows pointing right represent pressing **[B]** to advance forward through the menus. Pressing **[A]** moves through the menus in reverse.

The arrow below the *SYSTEM PROGRAMMING* menu represents pressing **[#]** to advance to tier 2 programming menus. Only when *SYSTEM PROGRAMMING* is displayed can you advance to tier 2 menus (see Figure 41).

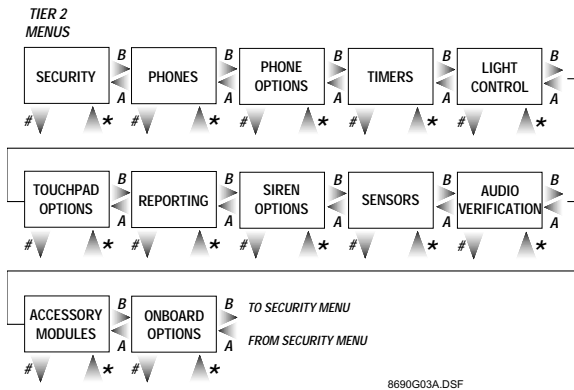


Figure 41. Tier 2 Program Menus

Again, arrows pointing right represent pressing [B] to advance forward through the menus. Pressing [A] moves through the menus in reverse.

Arrows below each menu represent pressing [#] to advance to those settings that pertain to that menu. Only when a specific menu is displayed can you advance to those settings. For example, from the SENSORS menu pressing [#] gives you access to learning sensors, programming sensor text, deleting sensors, and viewing/editing sensor programming.

Settings in tier 2 menus can also be accessed by entering shortcut numbers. See the section, “Programming Tier 2 Menu Items” on page 19 for complete details.

Programming Tier 1 Menu Items

This section guides you through programming tier 1 menu items as they appear in sequence. The exact order you follow will depend on whether you’re installing a new system or changing programming in an existing system.

| Demo Kit Mode | (System Programming) |
|---|----------------------|
| (Default = off) This setting determines whether the panel is used for a standard installation (off) or as a demo kit (on). When the Demo Kit option is on, only sensors learned into groups 01 and 03, duress code use, and phone test ([8] + system master code + [2]) will be reported. Turning on this feature and performing a memory clear changes the following settings: | |
| Partition 1 Master Code = 1000 | |
| Partition 2 Master Code = 2000 | |
| User Code 00 = 1001 (partition 1 code—can also be used to jump to partition 2) | |
| User Code 01 = 1002 (partition 1 code—can also be used to bypass sensors) | |
| User Code 02 = 2001 (partition 2 code—can also be used for remote or off-site access) | |
| User Code 03 = 2002 (partition 2 code—can also be used to perform system tests) | |
| User Code 04 = 1122 (partition 1 code—can also be used to jump to partition 2, for remote or off-site access, and system tests) | |
| User Code 05 = 1122 (partition 2 code—can also be used to jump to partition 1, for remote or off-site access, bypassing sensors, and system tests) | |
| Partition 1 House Code = 255 (P) | |
| Partition 2 House Code = 254 (O) | |
| Zone 1 (hardwire input 1) = Group 10, Front Door | |
| Zone 2 (hardwire input 2) = Group 13, Bedroom Window | |
| Zone 3 (hardwire input 3) = Group 17, Living Room Motion Sensor | |
| Zone 4 (hardwire input 4) = Group 1, Panic | |
| Zone 5 (wireless, keychain touchpad, ID F00201) = Group 01, (no text) | |
| Zone 6 (wireless, DWS, ID A00206) = Group 13, Kitchen Window | |
| COMM FAILURE = off | |
| Demo Kit = on | |
| AVM code = 1212 | |
| Entry Delay = 8 sec | |
| Exit Delay = 8 sec | |
| Extended Delay = 1 minute | |
| Siren Timeout = 2 minutes | |
| To turn Demo Kit Mode off or on: | |
| <input type="checkbox"/> With the display showing <i>DEMO KIT MODE OFF/ON</i> (current setting), press [1] (off) or [2] (on), then press [#]. | |
| The display flashes the entered setting, then stops after pressing [#] and displays <i>DEMO KIT MODE OFF/ON</i> (new setting). | |

Partition 1 Copy (System Programming)

(Default = none) After programming all settings pertaining to partition 1, you can make an exact copy to use for partition 2. This helps reduce programming time when the system is set up for two partitions. If there are certain settings that are unique to partition 2, simply advance to the appropriate menu and make the necessary changes.

To Copy Partition 1:

- With the display showing *PARTITION 1 COPY*, press **#** + installer code (default = 4321) + **#**.

The display flashes, then stops after pressing **#** and shows *DONE*.

Clear Memory (System Programming)

Clearing memory deletes all existing programming information (except the Dealer Code).

Note
Clearing the memory will erase onboard hardwire zone factory programming.

To Clear Panel Memory:

- With the system in program mode, press **A** or **B** until the display shows *CLEAR MEMORY*.
- Press **#** and the display shows *ENTER CODE TO CLEAR MEMORY*.
- Enter the 4-digit installer code (default = 4321) or dealer code (if programmed) + **#**. After about five seconds, the system restarts and the panel scans the bus to learn all bus devices.

If the system doesn't respond as described, repeat step 3.

Programming Tier 2 Menu Items

This section guides you through programming tier 2 menu items as they appear in sequence. Figure 42 shows the menus available on tier 2.

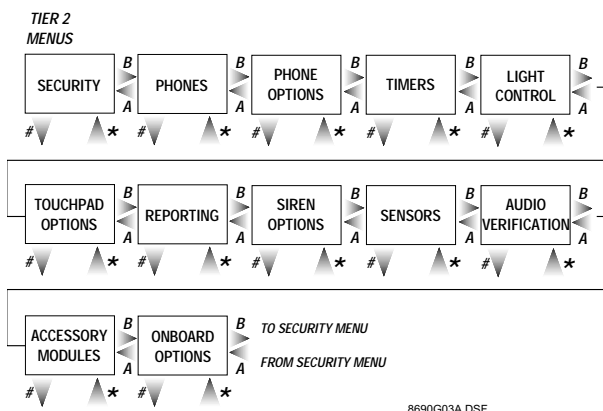
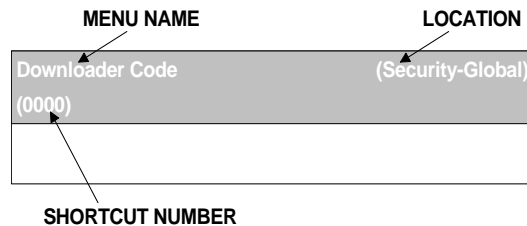


Figure 42. Tier 2 Program Menus

Each menu on tier 2 represents a group of settings related to the menu name. Some tier 2 menus break down into settings that affect the whole system (global) or a specific partition.

Using Shortcut Numbers

To go directly to a setting in tier 2, you can enter the shortcut number for that setting. Shortcut numbers in this manual appear in parenthesis (), under the setting name.



Shortcut numbers can be used from any setting location within tier 2.

To advance to tier 2 program menus:

With the system in program mode and the display showing *SYSTEM PROGRAMMING*, press **#** once. The display should show *SECURITY*.

Security Menu

The SECURITY menu lets you choose whether security settings affect the whole system (global) or a specific partition.

To access global or partition security menu items:

- With the display showing *SECURITY*, press **#**. The display should show *GLOBAL*.
- Press **#** again to advance to global settings, or press **A** or **B** to display *PARTITION n*, then press **#** to advance to selected partition 1 or 2 settings.

The following describes how to program the security settings that appear under *GLOBAL*.

Downloader Code (Security-Global) (0000)

(Default = 12345) The 5-digit downloader code is used in conjunction with downloader programming. The downloader operator must have the panel account number and downloader code in order to perform any programming.

To program a Downloader Code:

- With the display showing *DOWNLOADER CODE nnnnn* (current code), enter the desired 5-digit code. The display flashes the entered code. Press **#** and the display shows the new code.

Note
The Downloader Code cannot be deleted or cleared from panel memory. To change the Downloader Code to its default setting, enter 12345 in the procedure above.

Installer Code (Security-Global)
(0001)

(Default = 4321) The 4-digit installer code is used for entering program mode and changing system settings. If a dealer code is programmed, only those settings not associated with phone numbers can be changed.

To program an Installer Code:

- With the display showing *INSTALLER CODE nnnn* (current code), enter the desired 4-digit code. The display flashes the entered code. Press **#** and the display shows the new code.

Note

The Installer Code cannot be deleted or cleared from panel memory. To change the Installer Code to its default setting, enter 4321 in the procedure above.

Dealer Code (Security-Global)
(0002)

(Default = none) The 4-digit dealer code is used to prevent unauthorized persons from changing the programmed central station phone numbers. When this feature is enabled, central station phone numbers cannot be changed (unless you enter the program mode by using the dealer code). All *other* system settings are still accessible by entering the program mode with the installer code.

To program a Dealer Code:

- With the display showing *DEALER CODE *****, enter the desired 4-digit code. The display flashes the entered code. Press **#** and the display shows the new code.

To delete a Dealer Code:

- With the display showing *DEALER CODE nnnn* (current code), press **0**. The display shows *DEALER CODE *****.

Note

The Dealer Code cannot be deleted by clearing panel memory.

The following sections describe the security settings that appear under *PARTITION 1* and *PARTITION 2*.

Account Number (Security-Partition 1-2)
(partition 1: 0010, partition 2: 0020)

(Defaults = 00000) The account number is used as panel (or customer) identification for the central monitoring station. The panel sends the account number every time it reports to the central station. Account numbers must be 1 to 10 characters long.

Alpha characters A-F can be assigned to the account number by pressing and holding buttons 1-6 respectively, until the character appears.

To program an Account Number:

- With the display showing *ACCOUNT NUMBER nnnnn* (current number), enter the desired account number. The display flashes the entered number. Press **#** and the display shows the new number.

Quick Arm (Security-Partition 1-2)
(partition 1: 0011, partition 2: 0021)

(Defaults = off) Quick Arm allows system arming without using an access code. When Quick Arm is on, the system arming level can be increased from Level 1-OFF to LEVEL 2-STAY, from Level 1-OFF to LEVEL 3-AWAY, or from Level 2-STAY to LEVEL 3-AWAY, without entering an access code.

A valid access code is still required to decrease the arming level or disarm the system.

To turn Quick Arm off or on:

- With the display showing *QUICK ARM OFF/ON* (current setting), press **1** (off) or **2** (on). The display flashes the entered setting. Press **#** and the display shows the new setting.

Quick Exit (Security-Partition 1-2)
(partition 1: 0012, partition 2: 0022)

(Defaults = on) This setting determines whether or not users can open and close a standard entry/exit door without causing an alarm (while the system is armed).

This feature would be useful if the user wants to go out to get the morning paper while the system is armed. This feature also allows the user to leave the armed premises without having to disarm and re-arm the system.

When Quick Exit is on, pressing **0** on a touchpad (while the system is armed) starts a 2-minute timer that allows one standard entry/exit door (sensor groups 10 and 19 only) to be activated once (opened, then closed).

When this feature is turned off, the system must be disarmed before any protected door is opened.

Note

For UL Listed installations, this feature must be set to off.

To turn Quick Exit off or on:

- With the display showing *QUICK EXIT OFF/ON* (current setting), press **1** (off) or **2** (on). The display flashes the entered setting. Press **#** and the display shows the new setting.

Exit Extension (Security-Partition 1-2)
(partition 1: 0013, partition 2: 0023)

(Defaults = on) This setting determines whether or not the user can re-enter and exit again through an entry or exit delay door (without disarming and re-arming the system). This helps prevent exit faults and false alarms by allowing users to re-enter the premises for a forgotten item.

When Exit Extension is on, the panel restarts the exit delay timer if the user re-enters the premises through a standard delay door before the standard exit delay time expires.

When this feature is off, the exit delay timer does not restart if the user re-enters the premises, forcing the user to disarm the system to avoid setting off an accidental alarm.

To turn Exit Extension off or on:

- With the display showing *EXIT EXTENSION OFF/ON* (current setting), press **1** (off) or **2** (on). The display flashes the entered setting. Press **#** and the display shows the new setting.

Auto Stay Arming (Security—Partition 1-2)
(partition 1: 0014, partition 2: 0024)

(Defaults = on) This setting determines whether or not the system automatically arms to STAY (level 2) if the user arms the system to AWAY (level 3) without exiting the premises. This can help prevent accidental alarms by deactivating interior motion sensors during occupied arming periods.

When this feature is on and the system is armed to AWAY, touchpads (and other status sounders) emit one exit delay beep every four seconds, then one every second during the last 10 seconds. If the exit delay time expires with no standard delay sensor activation, the system automatically arms to STAY.

Note

Arming the system to "AWAY with No Delay" overrides the Auto Stay Arming feature.

To turn Auto Stay Arming off or on:

- With the display showing *AUTO STAY ARMING OFF/ON* (current setting), press (off) or (on). The display flashes the entered setting. Press and the display shows the new setting.

Keyswitch Sensor (Security—Partition 1-2)
(partition 1: 0015, partition 2: 0025)

(Defaults= none) This feature lets users arm and disarm the system using either a keyswitch wired to a hardwire zone input or a wireless door/window sensor.

For example, if sensor 1 is designated as the keyswitch sensor and the system is disarmed, then tripping sensor 1 could arm the system to AWAY. If the system is armed to STAY or AWAY, then tripping the sensor could disarm the system (depending on keyswitch style).

Note

It is recommended that keyswitch sensors are learned into group 28.

The panel reports opening, closing, and force armed reports (if turned on) to the central monitoring station.

Note

A bypassed keyswitch sensor cannot arm or disarm the system.

During an audible alarm, keyswitch sensors can disarm the system (which sends a cancel report to the central monitoring station), but cannot arm the system. The system can be armed only after the siren timeout expires.

Keyswitch sensors test the same as any other sensor and do not arm or disarm the system during a sensor test.

To assign a Keyswitch Sensor:

- With the display showing *KEYSWITCH SENSOR NN* (current sensor number), enter the desired sensor number (01–76). The display flashes the entered sensor number. Press and the display shows the new number.

To delete a Keyswitch Sensor:

- With the display showing *KEYSWITCH SENSOR NN* (current sensor number), press to erase the keyswitch sensor attribute.

Keyswitch Style (Security—Partition 1-2)
(partition 1: 0016, partition 2: 0026)

(Defaults = transition) This feature allows users to select how they want the system to behave when armed/disarmed by a keyswitch sensor. The choices are as follows:

Transition: If keyswitch style is set to transition and the keyswitch sensor is tripped (opened) when the system is disarmed (level 1), the panel will automatically arm to AWAY (level 3). If the sensor is tripped (opened) when the system is armed to AWAY (level 3) or STAY (level 2), the panel will automatically disarm.

State: If keyswitch style is set to state, when the keyswitch sensor is tripped (opened) the panel arms to AWAY (level 3). If the sensor is restored (closed) the panel disarms.

Opening, closing, and force arming reports (if turned on) are reported to the central station for both keyswitch styles.

To assign a Keyswitch Style:

- With the display showing *KEYSWITCH STYLE TRANSITION/STATE* (current setting), press for Transition or for State. The display flashes the entered setting. Press and the display shows the new setting.

Duress Code (Security—Partition 1-2)
(partition 1: 0017, partition 2: 0027)

(Defaults = none) The duress code is a unique 4-digit access code that allows users to operate the system and, at the same time, instructs the panel to send a silent alarm report to the central station.

Do not use a duress code unless it is absolutely necessary. Using duress codes often results in false alarms due to code entry errors. If a duress code is absolutely necessary, use it with an audio verification module (AVM) to reduce false alarms and accidental dispatches.

Note

To use this feature, the *DURESS OPTION* setting under the REPORTING—PARTITION 1 (2) menu must be turned on.

To program a Duress Code:

- With the display showing *DURESS CODE *****, enter the desired 4-digit duress code. The display flashes the entered setting. Press and the display shows the new code.

To delete a Duress Code:

- With the display showing *DURESS CODE NNNN* (current code), press . The display shows *DURESS CODE *****.

Phones Menu

The PHONES menu lets you set up central station reporting for the system.

The following describes how to program the settings that appear under CS PHONE 1-3.

Phone Number (Phones—CS Phone 1-3)
(cs phone 1: 0100, cs phone 2: 0110, cs phone 3: 0120)

(Defaults = none) This setting is used for programming the central station receiver phone number. Phone numbers can be 1 to 24 digits long, including pauses or * and # characters.

To enter pauses, press [0].

To enter *, press and hold [7] for about two seconds.

To enter #, press and hold [9] for about two seconds.

Note

The PHONE NUMBER menus are not accessible if a Dealer Code is programmed and the Installer Code is used to enter installer programming mode. To access these menus when a Dealer Code is programmed, you must enter installer programming mode using the Dealer Code.

Call-waiting services should be disabled to prevent interrupting panel communication to the central monitoring station. To program a dialing prefix that disables call-waiting, see the CALL WAIT CANCEL setting under the menu PHONE OPTIONS—GLOBAL.

To program a Central Station Phone Number:

- With the display showing *PHONE NUMBER _ (or current number)*, enter the desired phone number. The display flashes the entered number. Press [#] and the display shows the new number.

To delete a Central Station Phone Number:

- With the display showing *PHONE NUMBER (current number)*, press [0].

The display shows *PHONE NUMBER _*.

High Level Rpts (Phones—CS Phone 1-3)
(cs phone 1: 0101, cs phone 2: 0111, cs phone 3: 0121)

(Defaults: CS Phone 1 = on, CS Phone 2 and 3 = off) When this setting is on, the following conditions report to the central station:

- Fire, Police, Auxiliary, and Duress alarms
- No Activity
- Receiver Failure (or jam)
- Tamper conditions, including Zone Tamper and System Tamper (40 incorrect key presses or touchpad supervisory)
- Entering or exiting Sensor Test mode
- Phone Test

To turn High-Level Reports off or on:

- With the display showing *HIGH LEVEL RPTS OFF/ON (current setting)*, press [1] (off) or [2] (on). The display flashes the entered setting. Press [#] and the display shows the new setting.

Low Level Rpts (Phones—CS Phone 1-3)
(cs phone 1: 0102, cs phone 2: 0112, cs phone 3: 0122)

(Defaults: CS Phone 1 = on, CS Phone 2 and 3 = off) When this setting is on, the following non-alarm conditions report to the central station:

- Force Armed
- Hardwire Zone Trouble (open or short)
- Supervisory (wireless devices)
- Low Battery (wireless devices)
- Phone Test
- Other non-alarm related conditions

To turn Low-Level Reports off or on:

- With the display showing *LOW LEVEL RPTS OFF/ON (current setting)*, press [1] (off) or [2] (on). The display flashes the entered setting. Press [#] and the display shows the new setting.

Exception Rpts (Phones—CS Phone 1-3)
(cs phone 1: 0103, cs phone 2: 0113, cs phone 3: 0123)

(Defaults = off) When this setting is on, the panel reports to the central station if the system is not armed or disarmed at the specified schedule times.

To turn Exception Reports off or on:

- With the display showing *EXCEPTION RPTS OFF/ON (current setting)*, press [1] (off) or [2] (on). The display flashes the entered setting. Press [#] and the display shows the new setting.

Open/Close Rpts (Phones—CS Phone 1-3)
(cs phone 1: 0104, cs phone 2: 0114, cs phone 3: 0124)

(Defaults = off) This setting determines whether opening and closing reports are sent to the central station. When turned on, the panel sends a closing report when the system is armed and an opening report when the system is disarmed.

Note

To use this feature, the *OPENING REPORTS* and *CLOSING REPORTS* settings under the *REPORTING* menu must be turned on for that partition.

To turn Opening/Closing Reports off or on:

- With the display showing *OPEN/CLOSE RPTS OFF/ON (current setting)*, press [1] (off) or [2] (on). The display flashes the entered setting. Press [#] and the display shows the new setting.

Backup (Phones—CS Phone 1-3)
(cs phone 1: 0105, cs phone 2: 0115, cs phone 3: 0125)

(Defaults: CS Phone 1 = on, CS Phone 2 and 3 = off) This setting determines whether or not the panel uses another programmed central station phone number for reporting if attempts with the first number are unsuccessful.

When *BACK UP* is off, the panel will make up to eight attempts to deliver a report with the programmed phone number.

When *BACK UP* is set to on, the panel makes up to 16 attempts to deliver the report, alternating between the programmed phone number and the backup phone number.

CS PHONE 1 is backed up by CS PHONE 2.

CS PHONE 2 is backed up by CS PHONE 1.

CS PHONE 3 is backed up by CS PHONE 1.

To turn Backup off or on:

- With the display showing *BACK UP OFF/ON* (current setting), press (off) or (on). The display flashes the entered setting. Press and the display shows the new setting.

SIA/CID Reporting (Phones—CS Phone 1-3)
(cs phone 1: 0106, cs phone 2: 0116, cs phone 3: 0126)

(Default = CID) This setting determines whether the panel uses the SIA or CID (Contact ID) reporting format for central station communication.

To select SIA or CID reporting:

- With the display showing *REPORTING FORMAT SIA/CID* (current setting), press (for SIA) or (for CID). The display flashes the entered setting. Press and the display shows the new setting.

Cellular Backup (Phones—CS Phone 1-3)
(cs phone 1: 0107, cs phone 2: 0117, cs phone 3: 0127)

(Defaults: CS Phone 1=on, CS Phone 2 and 3=off) This setting determines whether the panel uses cellular communication for reporting if attempts using landline are unsuccessful.

To turn Cellular Backup off or on:

- With the display showing *CELLULAR BACKUP*, press (for off) or (for on). The display flashes the entered setting. Press and the display shows the new setting.

The following describes how to program the phone settings that appear under *PAGER PHONE 1* through 5.

Phone Number (Phones—Pager Phone 1-5)
(pager 1: 0130, pager 2: 0140, pager 3: 0150, pager 4: 0160, pager 5: 0170)

(Defaults = none) This setting is used for programming a phone number that communicates to a pager. Phone numbers can be 1 to 24 digits long and include pauses, a skylink number, and 7-digit PIN number.

To enter pauses, press .

To enter *, press and hold for about two seconds.

To enter #, press and hold for about two seconds.

Note

Call-waiting services should be disabled to prevent interrupting panel communication to the pager(s). To program a dialing prefix that disables call-waiting, see the *CALL WAIT CANCEL* setting under the menu *PHONE OPTIONS—GLOBAL*.

To program a Pager Phone Number:

- With the display showing *PHONE NUMBER _* (or current number), enter the desired pager phone number. The display flashes the entered number. Press and the display shows the new setting.

To delete a Pager Phone Number:

- With the display showing *PHONE NUMBER* (current number), press . The display shows *PHONE NUMBER _*.

High Level Rpts (Phones—Pager Phone 1-5)
(pager 1: 0131, pager 2: 0141, pager 3: 0151, pager 4: 0161, pager 5: 0171)

(Defaults = on) This setting determines whether the following alarm conditions report to a pager:

- Fire, Police, Auxiliary, and Duress alarms
- No Activity
- Receiver Failure (or jam)
- Tamper conditions, including Zone Tamper and System Tamper (40 incorrect key presses or touchpad supervisory)
- Entering or exiting Sensor Test mode
- Phone Test

To turn High-Level Reports off or on:

- With the display showing *HIGH LEVEL RPTS OFF/ON* (current setting), press (off) or (on). The display flashes the entered setting. Press and the display shows the new setting.

Low Level Rpts (Phones—Pager Phone 1-5)
(pager 1: 0132, pager 2: 0142, pager 3: 0152, pager 4: 0162, pager 5: 0172)

(Defaults = off) This setting determines whether the following non-alarm conditions report to a pager:

- Force Armed
- Hardwire Zone Trouble (open or short)
- Supervisory (wireless devices)
- Low Battery (wireless devices)
- Phone Test
- Other non-alarm related conditions

To turn Low-Level Reports off or on:

- With the display showing *LOW LEVEL RPTS OFF/ON (current setting)*, press **1** (off) or **2** (on). The display flashes the entered setting. Press **#** and the display shows the new setting.

Exception Rpts (Phones—Pager Phone 1-5)
(pager 1: 0133, pager 2: 0143, pager 3: 0153, pager 4: 0163, pager 5: 0173)

(Defaults = off) This setting determines whether the panel reports to a pager if the system is not armed or disarmed at the specified schedule times, if open/close reports are turned on.

To turn Exception Reports off or on:

- With the display showing *EXCEPTION RPTS OFF/ON (current setting)*, press **1** (off) or **2** (on). The display flashes the entered setting. Press **#** and the display shows the new setting.

Open/Close Rpts (Phones—Pager Phone 1-5)
(pager 1: 0134, pager 2: 0144, pager 3: 0154, pager 4: 0164, pager 5: 0174)

(Defaults = off) This setting determines whether opening and closing reports are sent to a pager. When turned on, the panel sends a closing report when the system is armed and an opening report when the system is disarmed.

Note

To use this feature, the *OPENING REPORTS* and *CLOSING REPORTS* settings under the *REPORTING* menu must be turned on for that partition.

To turn Opening/Closing Reports off or on:

- With the display showing *OPEN/CLOSE RPTS OFF/ON (current setting)*, press **1** (off) or **2** (on). The display flashes the entered setting. Press **#** and the display shows the new setting.

Latchkey Reports (Phones—Pager Phone 1-5)
(pager 1: 0135, pager 2: 0145, pager 3: 0155, pager 4: 0165, pager 5: 0175)

(Defaults = on) This setting determines whether the panel reports to a pager when the system is armed or disarmed, according to latchkey time scheduling.

To turn Latchkey reports off or on:

- With the display showing *LATCHKEY RPTS OFF/ON (current setting)*, press **1** (off) or **2** (on). The display flashes the entered setting. Press **#** and the display shows the new setting.

Streamlining (Phones—Pager Phone 1-5)
(pager 1: 0136, pager 2: 0146, pager 3: 0156, pager 4: 0166, pager 5: 0176)

(Defaults = on) This setting determines whether the panel includes (off) or excludes (on) the account number when reporting to a pager.

To turn Streamlining off or on:

- With the display showing *STREAMLINING OFF/ON (current setting)*, press **1** (off) or **2** (on). The display flashes the entered setting. Press **#** and the display shows the new setting.

Ptn Assignment (Phones—Pager Phone 1-5)
(pager 1: 0137, pager 2: 0147, pager 3: 0157, pager 4: 0167, pager 5: 0177)

(Defaults = 1) This setting determines the partition that reports to a pager. Both partitions can be assigned to report to a single pager.

To set up Partition Assignments for pager reporting:

- With the display showing *PTN ASSIGNMENT 1/2/12 (current setting)*, press **1** or **2** to select partition 1 or 2 (press **1** and **2** to select both partition 1 and 2). The display flashes the entered setting. Press **#** and the display shows the new setting.

The following describes how to program the phone settings that appear under *DOWNLOADER PHONE*.

| Phone Number (0180) | <i>(Phones—Downloader Phone)</i> |
|--|----------------------------------|
| <p>(Default = none) Use this setting to enter the phone number of an off-site computer that can be used to program the panel through the phone line. Phone numbers can be 1 to 24 digits long, including pauses or * and # characters.</p> <p>To enter pauses, press []. To enter *, press and hold [*] for about two seconds. To enter #, press and hold [#] for about two seconds.</p> <p>Note Call-waiting services should be disabled to prevent interrupting panel communication to the downloader. To program a dialing prefix that disables call-waiting, see the <i>CALL WAIT CANCEL</i> setting under the menu <i>PHONE OPTIONS—GLOBAL</i>.</p> <p>To program a downloader phone number:</p> <ul style="list-style-type: none"> <input type="checkbox"/> With the display showing <i>PHONE NUMBER (current number)</i>, enter the desired phone number. The display flashes the entered number. Press [#] and the display shows the new setting. <p>To delete a downloader phone number:</p> <ul style="list-style-type: none"> <input type="checkbox"/> With the display showing <i>PHONE NUMBER (current number)</i>, press [] to erase the number. The display shows <i>PHONE NUMBER_</i>. | |

Phone Options Menu

The *PHONE OPTIONS* menu lets you set up system phone access and communications that affect the whole system (global) or a specific partition.

The following describe how to program the phone option settings that appear under *GLOBAL*.

| Phone Test (02000) | <i>(Phone Options—Global)</i> |
|--|-------------------------------|
| <p>(Default = on) This setting determines if the user can, at any time, test the communication from the panel to the central station or a pager by entering 8 + CODE + 2 (# + 8 + CODE + 2 from a touch-tone phone).</p> <p>To turn the Phone Test setting off or on:</p> <ul style="list-style-type: none"> <input type="checkbox"/> With the display showing <i>PHONE TEST OFF/ON (current setting)</i>, press [1] (off) or [2] (on). The display flashes the entered setting. Press [#] and the display shows the new setting. | |

| Auto Phone Test (02001) | <i>(Phone Options—Global)</i> |
|--|-------------------------------|
| <p>(Default = off) This setting determines if the panel sends a phone test automatically to the central station or a pager on a predetermined schedule. (Refer to the “Phone Test Freq.” and “Next Phone Test” settings found under <i>TIMERS—GLOBAL</i>).</p> <p>Note For U.L. Commercial Listed installations (UL 1610), this feature must be on.</p> <p>To turn Automatic Phone Test off or on:</p> <ul style="list-style-type: none"> <input type="checkbox"/> With the display showing <i>AUTO PHONE TEST OFF/ON (current setting)</i>, press [1] (off) or [2] (on). The display flashes the entered setting. Press [#] and the display shows the new setting. | |

| Auto Test Reset (02002) | <i>(Phone Options—Global)</i> |
|--|-------------------------------|
| <p>(Default = on) This setting determines whether or not the Auto Phone Test interval is reset after any successful report to the central monitoring station. (Refer to the “Phone Test Freq.” and “Next Phone Test” settings found under <i>TIMERS—GLOBAL</i>).</p> <p>When this feature is on, the panel considers any successful report to the central monitoring station to be a successful phone test. Thus, any panel report resets the Next Phone Test setting to the Phone Test Freq. value. The panel only conducts an Auto Phone Test if no other reports have been made during the Phone Test Freq. time period.</p> <p>When this feature is off, an Auto Phone Test is always conducted according to the schedule of the Phone Test Freq. setting, even if the panel makes other reports to the central monitoring station during that time period.</p> <p>Note PHONE TEST FREQ must be set to 2 or higher for this feature to work.</p> <p>To turn Auto Test Reset off or on:</p> <ul style="list-style-type: none"> <input type="checkbox"/> With the display showing <i>AUTO TEST RESET OFF/ON (current setting)</i>, press [1] (off) or [2] (on). The display flashes the entered setting. Press [#] and the display shows the new setting. | |

Comm Failure (02003) (Phone Options—Global)

(Default = on) This setting determines whether the panel activates trouble beeps to alert users on the premises that communication to the central station failed. Failure notification occurs after the third unsuccessful reporting attempt to the central station/pager.

If a Phone Supervision Card (60-789) is installed, failure notification can occur immediately if inadequate phone line voltage is detected upon the initial dialing attempt.

Note

For UL Listed installations, Comm Failure must be turned on.

To turn Communication Failure notification off or on:

- With the display showing *COMM FAILURE OFF/ON* (current setting), press **1** (off) or **2** (on). The display flashes the entered setting. Press **#** and the display shows the new setting.

DTMF Dialing (02004) (Phone Options—Global)

(Default = on) This setting determines whether the panel uses DTMF tones (on) or pulse (off) for dialing programmed phone numbers.

To turn DTMF Dialing off or on:

- With the display showing *DTMF DIALING OFF/ON* (current setting), press **1** (off) or **2** (on). The display flashes the entered setting. Press **#** and the display shows the new setting.

Dialer Abort (02005) (Phone Options—Global)

(Default = on) This setting determines whether or not the user can stop a panel before it sends a false alarm to the central station.

When this feature is on, alarm reports from sensors in groups 00–20, 34, and 35 can be aborted. To abort the dialing attempt, the user must enter **1** + user code within the Dialer Abort Delay time setting (defaulted to 30 sec). Cancel and restoral reports from these sensor groups are aborted at the same time. The following reports can also be aborted.

- System Alarm Tamper/Cancel
- No Activity Alarm/Cancel
- Touchpad Police and Auxiliary Panic/Cancel
- Recent Closing and Two Trip Error

Note

Fire alarm reports to the central station cannot be aborted.

To turn Dialer Abort off or on:

- With the display showing *DIALER ABORT OFF/ON* (current setting), press **1** (off) or **2** (on). The display flashes the entered setting. Press **#** and the display shows the new setting.

Dial Abort Delay (02006) (Phone Options—Global)

(Default = 30 sec) This setting determines how much time the user has to abort a panel report.

To change the Dial Abort Delay:

- With the display showing *dial abort delay nn SECS* (current setting), enter the desired time (15–120s). The display flashes the entered setting. Press **#** and the display shows the new setting.

Cancel Message (02007) (Phone Options—Global)

(Default = on) This setting determines whether or not the panel displays a cancel message after the user disarms the system to clear an alarm condition.

To turn Cancel Message off or on:

- With the display showing *CANCEL MESSAGE OFF/ON* (current setting), press **1** (off) or **2** (on). The display flashes the entered setting. Press **#** and the display shows the new setting.

Pager Delay (02008) (Phone Options—Global)

(Default = 15 sec) This setting determines how long a report is delayed to a pager, after the panel dials the pager number.

Note

The Pager Delay time should not be set below 5 seconds, unless absolutely necessary.

To set the Pager Delay time:

- With the display showing *PAGER DELAY nn SECS* (current setting), enter a delay time (0–30). The display flashes the entered setting. Press **#** and the display shows the new setting.

Call Wait Cancel (02009) (Phone Options—Global)

(Default = none) This feature lets you set up a dialing prefix to disable the call waiting feature before the panel makes its first dialing attempt to any programmed central monitoring station or downloader phone number. The prefix can be up to eight digits.

To enter pauses, press **0**.

To enter *, press and hold **7** for one second.

To enter #, press and hold **9** for one second.

To set up Call Wait Cancel:

- With the display showing *CALL WAIT CANCEL _* (or current setting), enter the desired prefix. The display flashes the entered setting. Press **#** and the display shows the new setting.

To delete the Call Wait Cancel prefix:

- With the display showing *CALL WAIT CANCEL _* (or current setting), press **0**.

Dial Tone Detect (Phone Options—Global)
(02010)

(Default = on) When this setting is on, the panel does not begin dialing until it detects a dial tone.

When this feature is off, the panel begins dialing a few seconds after seizing the phone line.

To set up Dial Tone Detect:

- With the display showing *DIAL TONE DETECT OFF/ON (current setting)*, press **[1]** (off) or **[2]** (on). The display flashes the entered setting. Press **[#]** and the display shows the new setting.

The following sections describe the phone option settings that appear under *PARTITION 1-2*.

Note

A Phone Interface/Voice module must be installed for the system to use the settings under *PHONE OPTIONS—PARTITION 1 and PARTITION 2*.

Local Phone Control (Phone Options—Partition 1-2)
(partition 1: 0210, partition 2: 0220)

(Defaults = on) When this feature is on, the panel can be accessed from a phone on the premises.

To set up Local Phone Control:

- With the display showing *LOCAL PHONE CTRL OFF/ON (current setting)*, press **[1]** (off) or **[2]** (on). The display flashes the entered setting. Press **[#]** and the display shows the new setting.

Remote Access (Phone Options—Partition 1-2)
(partition 1: 0211, partition 2: 0221)

(Defaults = on) When this setting is on, the panel can be accessed from an off-site phone.

To turn Remote Access off or on:

- With the display showing *REMOTE ACCESS OFF/ON (current setting)*, press **[1]** (off) or **[2]** (on). The display flashes the entered setting. Press **[#]** and the display shows the new setting.

Ring/Hang/Ring (Phone Options—Partition 1-2)
(partition 1: 0212, partition 2: 0222)

(Defaults = on) This setting determines how the panel picks up (seizes) the phone line. Select “on” if an answering machine shares the phone line with the panel. Select “off” if there is no answering machine sharing the phone line with the panel.

Note

The REMOTE ACCESS setting must be turned on for this feature to work.

When this feature is on, the person who is calling the panel must use the following procedure:

1. Listen for one or two full rings.
2. Hang up.
3. Call the premises again within the next 10–40 seconds. The system answers after the first ring.

When this feature is off, the system answers after 12 full rings.

To turn Ring/Hang/Ring access off or on:

With the display showing *RING/HANG/RING OFF/ON (current setting)*, press **[1]** (off) or **[2]** (on). The display begins flashing the entered selection. Press **[#]** and the display shows the new setting.

Line Fail Delay (Phone Options—Partition 1 only)
(partition 1: 0213)

(Default = none) This setting determines the amount of time the partition 1 phone line voltage must be absent before the panel indicates a phone failure trouble condition. If a delay is *not* programmed (default), the panel will not monitor the phone line voltage.

Note

LINE FAIL DELAY is not available for partition 2 at this time.

A Phone Supervision Card must be installed to use this feature.

To set the Line Fail Delay time:

1. With partition 1 selected, press **[A]** or **[B]** until the display shows *LINE FAIL DELAY nn SECS (current setting)*.
2. Enter the desired time value (10–240 seconds). The display flashes the entered setting. Press **[#]** and the display shows the new setting.

To delete the Line Fail Delay time:

1. With partition 1 selected, press **[A]** or **[B]** until the display shows *LINE FAIL DELAY nn SECS (current setting)*.
2. Press **[0]** to delete the current line fail delay time.

Toll Saver (Phone Options—Partition 1-2)
(partition 1: 0214, partition 2: 0224)

(Defaults = on) This setting determines whether the panel answers a phone call on the eighth ring (on) or twelfth ring (off) when a trouble condition exists.

To turn Toll Saver off or on:

1. With the desired partition selected, press **A** or **B** until the display shows *TOLL SAVER OFF/ON (current setting)*.
2. Press **1** (off) or **2** (on). The display flashes the entered setting. Press **#** and the display shows the new setting.

Phone Panic (Phone Options—Partition 1-2)
(partition 1: 0215, partition 2: 0225)

(Defaults = off) This setting determines whether or not a police panic alarm can be activated from a touch-tone phone. When this feature is on, pressing **#** + ***#*#*#*#*#** from a touch-tone phone on the premises causes a panic alarm.

To turn Phone Panic off or on:

1. With the desired partition selected, press **A** or **B** until the display shows *PHONE PANIC OFF/ON (current setting)*.
2. Press **1** (off) or **2** (on). The display flashes the entered setting. Press **#** and the display shows the new setting.

Phone Access Key (Phone Options—Partition 1-2)
(partition 1: 0216, partition 2: 0226)

(Defaults = #) This setting determines which touch-tone phone button is used for system access and control.

If the Local Phone Control feature is enabled, the user can pick up the phone and press **#** (within 5 seconds) to access the security system. The panel seizes the phone line and waits for the user to enter system commands. Phone access can be changed from **#** to ***** (see the following note).

Note

Use the default setting (**#**) to avoid conflicts between the security system and other phone devices and services. Many phone devices (such as answering machines, computer modems, and FAX machines) and services (such as call-waiting, call-forwarding, and some banking transactions) require ***** to initiate their operation, so using ***** for this security feature could cause conflicts.

To change the Phone Access Key:

1. With the desired partition selected, press **A** or **B** until the display shows *PHONE ACCESS KEY #/* (current setting)*.
2. Press **1** (for *****) or **2** (for **#**). The display flashes the entered setting. Press **#** and the display shows the new setting.

Timers Menu

The *TIMERS* menu lets you set up the various system feature times that affect the whole system (global) or a specific partition.

The following describes how to program the timer settings that appear under *GLOBAL*.

Supervisory Time (Timers—Global)
(0300)

(Default is set randomly between 01:00 and 04:00) This setting determines what time of day the panel sends supervisory, low battery, or auto phone test reports to the central station.

Note

The panel clock must be set with the correct time for accurate supervisory time reporting. See "Time and Date Menu" on page 44.

To set the Supervisory Time:

- With the display showing *SUPERVISORY TIME HH:MM (current setting)*, enter the desired 4-digit time value. For example, enter 0330 to set the supervisory time for 3:30 A.M. The display flashes the entered setting. Press **#** and the display shows the new setting.

RF Tx Timeout (Timers—Global)
(0301)

(Default = 12 hours) This setting determines how many hours (2–24) the panel has to receive at least one signal from a wireless sensor (learned into a supervised group). If the panel does not receive a signal from any supervised wireless sensor within the set time, the panel reports a supervisory condition to the central station.

Note

For U.L. Listed commercial installations, the RF Tx Timeout must be set to 4 hours. For U.L. Listed residential installations, the RF Tx Timeout must be set to 24 hours.

To set the RF Tx Timeout:

- With the display showing *RF TX TIMEOUT nn HOURS (current setting)*, enter the desired timeout value (2–24). The display flashes the entered setting. Press **#** and the display shows the new setting.

Phone Test Freq. (Timers—Global)
(0302)

(Default = 7 days) This setting determines how often the panel conducts the automatic phone test (see "Auto Phone Test" under "Phone Options—Global"). The system can be set to perform an automatic phone test anywhere from every day to every 255 days.

Note

For U.L. Commercial Listed installations (UL 1610), this feature must be set to 1.

To set the Phone Test Freq:

- With the display showing *PHONE TEST FREQ nnn DAYS (current setting)*, enter the number of days (1–255). The display flashes the entered setting. Press **#** and the display shows the new setting.

Next Phone Test (0303) (Timers—Global)

(Default = 7 days) This setting is used by the Auto Phone Test feature (see “Phone Options - Global”) to determine when the next automatic phone test should occur. This setting should be the same as, or less than, the Phone Test Freq. setting.

Note
For U.L. Commercial Listed installations (UL 1610), this feature must be set to 1.

To set the Next Phone Test:

- With the display showing *NEXT PHONE TEST nnn DAYS (current setting)*, enter the number of days (1–255). The display flashes the entered setting. Press **#** and the display shows the new setting.

Output Trip Time (0304) (Timers—Global)

(Default = 4 sec) This setting determines how long outputs are activated when tripped (if they are configured for a momentary response).

To set the Output Trip Time:

- With the display showing *OUTPUT TRIP TIME nn SECS (current setting)*, enter the number of seconds (1–12). The display flashes the entered setting. Press **#** and the display shows the new setting.

Activity Timeout (0305) (Timers—Global)

(Default = 24 hours) This setting determines when the system sends a “no activity” report. The panel can be set to wait from 1–42 hours. If no user interaction or device activation occurs in that time, the panel sends a report to the central station.

To set the Activity Timeout:

- With the display showing *ACTIVITY TIMEOUT nn HOURS (current setting)*, enter the number of hours (1–42). The display flashes the entered setting. Press **#** and the display shows the new setting.

Daylight Saving (0306) (Timers—Global)

(Default = on) When this setting is on, the panel clock automatically adjusts for daylight saving time changes.

To turn Daylight Saving off or on:

- With the display showing *DAYLIGHT SAVING OFF/ON (current setting)*, press **1** (off) or **2** (on). The display flashes the entered setting. Press **#** and the display shows the new setting.

Entry Delay (partition 1: 0310, partition 2: 0320) (Timers—Partition 1-2)

(Defaults = 32 sec) This setting determines how much time the user has to disarm the system (after entering the armed premises through a “designated delay door”) without causing an alarm.

Note
For residential UL Listed installations, the Entry Delay must be set to 45 seconds or less.

To set the Entry Delay:

- With the display showing *ENTRY DELAY nnn SECS (current setting)*, enter the desired time value (32–240 using 8-second intervals). The display flashes the entered setting. Press **#** and the display shows the new setting.

Exit Delay (partition 1: 0311, partition 2: 0321) (Timers—Partition 1-2)

(Defaults = 64 sec) This setting determines how much time the user has (after arming the system) to leave the premises through a “designated delay door” without causing an alarm.

Note
For residential UL Listed installations, the Exit Delay must be set to 60 seconds or less.

To set the Exit Delay:

- With the display showing *EXIT DELAY nnn SECS (current setting)*, enter the desired time value (48–184 using 8-second intervals). The display flashes the entered setting. Press **#** and the display shows the new setting.

Extended Delay (partition 1: 0312, partition 2: 0322) (Timers—Partition 1-2)

(Defaults = 4 minutes) This setting determines how much time the user has (after arming the system) to enter or exit the premises through a “designated extended delay door” (1–8 minutes).

Note
For UL Listed installations Extended Delay may not be used.

To set the Extended Delay:

- With the display showing *EXTENDED DELAY n MINUTES (current setting)*, enter the desired time value (1–8). The display flashes the entered setting. Press **#** and the display shows the new setting.

The following sections describe the timer settings that appear under *PARTITION 1-2*.

Siren Timeout (Timers—Partition 1-2)
(partition 1: 0313, partition 2: 0323)

(Defaults = 4 minutes) This setting determines how long sirens sound (1–30 minutes) if no one is present to disarm the system.

Note

For UL Listed installations, the Siren Timeout must be set to 4 minutes or more.

To set the Siren Timeout:

- With the display showing *SIREN TIMEOUT nn MINUTES (current setting)*, enter the desired time value (1–30). The display flashes the entered setting. Press **#** and the display show the new setting.

Sleep Time (Timers—Partition 1-2)
(partition 1: 0314, partition 2: 0324)

(Defaults = 22:00 (10:00 pm.)) This setting determines the start time of a 10 hour window during which trouble beeps are suppressed. The initial occurrence of an event that causes trouble beeps within this window will not sound trouble beeps until the Sleep Time window expires. If trouble beeps from a previous event are due to be restarted during the sleep time window, they will be restarted one hour prior to Sleep Time.

To set the Sleep Time:

- With the display showing *SLEEP TIME HH:MM (current setting)*, enter the desired time value (00:00-23:50 using 10 minute intervals). The display flashes the entered setting. Press **#** and the display show the new setting.

Light Control Menu

The *LIGHT CONTROL* menu lets you set up light activation for a specific partition.

The following describes how to program the light control settings that appear under *PARTITION 1* and *PARTITION 2*.

Note

For light control to work, X-10 Powerhouse Lamp Modules must be installed at desired lamps.

Entry Lights (Light Control—Partition 1-2)
(partition 1: 0400, partition 2: 0410)

(Defaults = none) This setting determines which X-10 controlled lights turn on during entry and exit delays.

Note

X-10 Lamp Modules set to 1 always turn on during the entry and exit delays.

X-10 Lamp Modules set to 2 always flash the arming level when arming the system. For example, lights flash two times when arming to STAY (level 2), and three times when arming to AWAY (level 3).

To set the Entry Lights:

1. With the desired partition selected, press **#**. The display shows *ENTRY LIGHTS nnnnnnn (current setting)*.
2. Enter *all* the desired light numbers (3–9 based on the UNIT dial setting on each X-10 Lamp Module). The display flashes the entered setting(s). Press **#** and the display shows the new setting(s).

To delete Entry Lights:

- Enter any light number that appears on the display, then press **#**. The number disappears from the display.

House Code (Light Control—Partition 1, 2)
(partition 1: 0401, partition 2: 0411)

(Defaults: partition 1 = 01-B; partition 2 = 02-C) This setting enables X-10 controlled lights to work in a selected partition without interfering with the X-10 controlled lights of the other partition.

After setting the panel house code for each partition, you must set the X-10 controlled lights for that partition to the same house code. The letter that appears automatically after the house code number indicates the necessary HOUSE dial setting for X-10 modules in that partition.

To set the House Code:

1. With the desired partition selected, press **A** or **B** until the display shows *HOUSE CODE nn-X (current setting)*.
2. Enter the desired number (1–255). The display flashes the entered number. Press **#** and the display shows the new house code.

Touchpad Options Menu

The *TOUCHPAD OPTIONS* menu lets you set up touchpad panic and arming operation.

The following section describes the touchpad option settings that appear under *GLOBAL*.

Latchkey Zones (Touchpad Options—Global)
(0500)

(Default = none) This setting defines the range of keychain touchpads that will function as a latchkey user. The value entered in this section can be any valid zone number. When a zone number is entered, all zones *at or below* that zone number will function as a latchkey user. For example, if 5 is entered, any keychain touchpads learned into zones 1–5 will be latchkey users and all others (6–76) will not.

To set the number of Latchkey Zones:

1. With the display showing *LATCHKEY ZONES nnn* (current setting), enter the desired number of latchkey zones (1–76). The display flashes the entered setting.
2. Press **#** and the display shows the new setting.

To delete/disable Latchkey Zones:

- With the display showing *LATCHKEY ZONES nnn* (current setting), press **0**.

The following sections describe the touchpad option settings that appear under *PARTITION 1-2*.

Fire Panic (Touchpad Options—Partition 1-2)
(partition 1: 0510, partition 2: 0520)

(Defaults = on) This setting determines whether touchpad fire panic buttons are enabled (on) or disabled (off).

To change the Fire Panic setting:

With the display showing *FIRE PANIC OFF/ON* (current setting), press **1** (off) or **2** (on). The display flashes the entered setting. Press **#** and the display shows the new setting.

Aux. Panic (Touchpad Options—Partition 1-2)
(partition 1: 0511, partition 2: 0521)

(Defaults = on) This setting determines whether touchpad auxiliary panic buttons are enabled (on) or disabled (off).

To change the Auxiliary Panic setting:

- With the display showing *AUXILIARY PANIC OFF/ON* (current setting), press **1** (off) or **2** (on). The display flashes the entered setting. Press **#** and the display shows the new setting.

Police Panic (Touchpad Options—Partition 1-2)
(partition 1: 0512, partition 2: 0522)

(Defaults = on) This setting determines whether touchpad police panic buttons are enabled (on) or disabled (off).

To change the Police Panic setting:

- With the display showing *POLICE PANIC OFF/ON* (current setting), press **1** (off) or **2** (on). The display flashes the entered setting. Press **#** and the display shows the new setting.

Keychain TP Arm (Touchpad Options—Partition 1-2)
(partition 1: 0513, partition 2: 0523)

(Defaults = off) When this setting is on, pressing the lock button on keychain touchpads arms the system directly to AWAY with NO DELAY.

When this setting is off, each key-press increments the arming level (i.e., from OFF to STAY, from STAY to AWAY).

To change the Keychain Touchpad Arming setting:

- With the display showing *KEYCHAIN TP ARM OFF/ON* (current setting), press **1** (off) or **2** (on). The display flashes the entered setting. Press **#** and the display shows the new setting.

Star Is No Delay (Touchpad Options—Partition 1-2)
(partition 1: 0514, partition 2: 0524)

(Defaults = off) This setting determines whether the keychain touchpad star button controls an output (off) or the NO DELAY feature (on).

To change the keychain Star Is No Delay setting:

- With the display showing *STAR IS NO DELAY OFF/ON* (current setting), press **1** (off) or **2** (on). The display flashes the entered setting. Press **#** and the display shows the new setting.

Reporting Menu

The *REPORTING* menu lets you set up which system events are reported to the central monitoring station.

The following describes how to program the reporting settings that appear under *GLOBAL*.

24-Hour Tamper (Reporting—Global)
(06000)

(Default = off) When this setting is on, the panel sounds sirens and reports a tamper alarm (even when the system is disarmed), when wireless sensor tamper switches are activated.

Note

For commercial UL Listed installations (UL 1610) the 24-Hour Tamper must be set to on.

To turn 24-Hour Tamper off or on:

- With the display showing *24 HOUR TAMPER OFF/ON* (current setting), press **1** (off) or **2** (on). The display flashes the entered setting. Press **#** and the display shows the new setting.

Buffer Control (06001) (Reporting—Global)

(Default = off) When this setting is on, only arming level changes are logged in the buffer (memory) of the panel.

When this setting is off, *all* system events are logged in the buffer.

To turn Buffer Control off or on:

- With the display showing *BUFFER CONTROL OFF/ON* (current setting), press **1** (off) or **2** (on). The display flashes the entered setting. Press **#** and the display shows the new setting.

Back In Service (06002) (Reporting—Global)

(Default = on) When this setting is on, the panel reports to the central station when AC and backup battery power are restored (after an extended power outage).

To turn Back In Service reports off or on:

- With the display showing *BACK IN SERVICE OFF/ON* (current setting), press **1** (off) or **2** (on). The display flashes the entered setting. Press **#** and the display shows the new setting.

Bypass Reports (06003) (Reporting—Global)

(Default = off) When this setting is on, the panel reports to the central station whenever sensors or zones are bypassed.

To turn Bypass Reports off or on:

- With the display showing *BYPASS REPORTS OFF/ON* (current setting), press **1** (off) or **2** (on). The display flashes the entered setting. Press **#** and the display shows the new setting.

Low CPU Battery (06004) (Reporting—Global)

(Default = on) When this setting is on, the panel reports a low panel battery to the central station before shutting down.

Note

For UL Listed installations, the Low CPU Battery feature must be set to on.

To turn Low CPU Battery reports off or on:

- With the display showing *LOW CPU BATTERY OFF/ON* (current setting), press **1** (off) or **2** (on). The display flashes the entered setting. Press **#** and the display shows the new setting.

Battery Restoral (06005) (Reporting—Global)

(Default = off) If this setting is on, the panel reports to the central monitoring station when a wireless sensor or touchpad reports a battery replacement to the panel.

To turn Battery Restoral reports off or on:

- With the display showing *BATTERY RESTORAL OFF/ON* (current setting), press **1** (off) or **2** (on). The display flashes the entered setting. Press **#** and the display shows the new setting.

Buffer Full Rpt (06006) (Reporting—Global)

(Default = off) When this setting is on, the panel sends an “event buffer full” report to the central monitoring station when the event buffer is nearly full.

To turn Buffer Full Report off or on:

- With the display showing *BUFFER FULL RPT OFF/ON* (current setting), press **1** (off) or **2** (on). The display flashes the entered setting. Press **#** and the display shows the new setting.

Zone Restorals (06007) (Reporting—Global)

(Default = off) When this setting is on, the panel reports a restoral to the central monitoring station for wireless or hardwire zones in alarm before the alarm is canceled.

Note

As with all ITI panels, hardwire smoke detectors connected to Concord or SnapCard hardwire zones do not send restorals.

To turn Zone Restoral reporting off or on:

- With the display showing *ZONE RESTORALS OFF/ON* (current setting), press **1** (off) or **2** (on). The display flashes the entered setting. Press **#** and the display shows the new setting.

Two Trip Error (06008) (Reporting—Global)

(Default = off) This setting works with the ALARM VERIFY setting (see “ALARM VERIFY” later in this section and Appendix B: Table B1, “Sensor Group Characteristics,” on page 67). If ALARM VERIFY is on, then the panel waits for a second sensor trip before sending an alarm.

If TWO TRIP ERROR is also on and a second sensor trip *does not occur* within a 4-minute time period, then the panel sends an error report to the central monitoring station.

Note

For UL Listed installations, the Two Trip Error feature must be set to off.

To turn Two Trip Error off or on:

- With the display showing *TWO TRIP ERROR OFF/ON* (current setting), press **1** (off) or **2** (on). The display flashes the entered setting. Press **#** and the display shows the new setting.

TP Panic RPT FMT (06009) (Reporting—Global)

(Default = off) This setting determines how the panel formats touchpad panic alarm reports to the central station.

When this feature is turned on, touchpad panic alarms report using the following 3-digit codes:
Auxiliary—597, Police—598, Fire—599

When turned off, touchpad panic alarms report using a 3-digit code from 500 to 515, with the last digit identifying the touchpad device number.

To turn TP Panic RPT FMT off or on:

- With the display showing *TP PANIC RPT FMT OFF/ON (current setting)*, press **1** (off) or **2** (on). The display flashes the entered setting. Press **#** and the display shows the new setting.

AC Failure (06010) (Reporting—Global)

(Default = off) When this setting is on, the panel reports to the central station 15 minutes after AC power to the panel is lost.

Note

For UL Listed installations, AC Failure must be set to on.

To turn AC Failure reports off or on:

- With the display showing *AC FAILURE OFF/ON (current setting)*, press **1** (off) or **2** (on). The display flashes the entered setting. Press **#** and the display shows the new setting.

Receiver Failure (06011) (Reporting—Global)

(Default = off) When this setting is on, the panel reports a receiver failure under the following conditions:

- No wireless sensor signals have been received for two hours or
- The receiver is being jammed with a constant signal.

Note

For UL Listed installations using wireless devices, Receiver Failure must be set to on.

To turn Receiver Failure reports off or on:

- With the display showing *RECEIVER FAILURE OFF/ON (current setting)*, press **1** (off) or **2** (on). The display flashes the entered setting. Press **#** and the display shows the new setting.

RF Low Bat Rpt (06012) (Reporting—Global)

(Default = weekly) This setting determines whether the panel sends daily or weekly low battery reports to the central monitoring station when a wireless device is reporting a low battery condition to the panel.

To set RF Low Battery Report to daily or weekly:

- With the display showing *RF LOW BAT RPT DAILY/WEEKLY (current setting)*, press **1** (daily) or **2** (weekly). The display flashes the entered setting. Press **#** and the display shows the new setting.

RF Supv Report (06013) (Reporting—Global)

(Default = weekly) This setting determines whether the panel sends daily or weekly reports to the central monitoring station when the panel detects a supervisory condition in a wireless device.

To set RF Supv Report to daily or weekly:

- With the display showing *RF SUPV REPORT DAILY/WEEKLY (current setting)*, press **1** (daily) or **2** (weekly). The display flashes the entered setting. Press **#** and the display shows the new setting.

Swinger Limit (06014) (Reporting—Global)

(Default = 1) This setting determines the maximum number of times (1–2) a sensor or zone can go into alarm (during a single arming period) before the panel automatically bypasses that sensor or zone. This feature only applies to sensors or zones in groups 00–20, 29, 34, or 35.

When set to 1, the panel automatically bypasses a sensor or zone after it causes an alarm. When set to 2, the panel waits until a sensor or zone has caused a second alarm (during the same arming period) before bypassing it. At any setting, the automatic bypass is logged into the event buffer.

A bypassed sensor or zone will be cleared (automatically unbypassed) if the system receives no further activations from that sensor or zone over the next 48–50 hours.

Changing the arming level also clears all automatically bypassed sensors and zones and resets the Swinger Limit count on all sensors and zones.

To set the Swinger Limit:

- With the display showing *SWINGER LIMIT n (current setting)*, press the desired number (1–2). The display flashes the entered setting. Press **#** and the display shows the new setting.

Program Report (06015) (Reporting—Global)

(Default = off) When this setting is on, the panel sends a report to the central station when someone enters or exits installer programming.

To turn Program Report on or off:

- With the display showing *PROGRAM REPORT ON/OFF (current setting)*, press **1** (off) or **2** (on). The display flashes the entered setting. Press **#** and the display shows the new setting.

The following sections describe the settings that appear under *REPORTING—PARTITION 1-2*.

Opening Reports (Reporting—Partition 1-2)
(partition 1: 06100, partition 2: 06200)

(Defaults = off) When this setting is on, the panel sends an opening report to the central station after disarming the system.

Note
To use this feature, the *OPEN/CLOSE REPORTS* settings under the *PHONES* menu must be turned on for the specific CS Phone or Pager number.

To turn Opening Reports off or on:

- With the display showing *OPENING REPORTS OFF/ON* (current setting), press **1** (off) or **2** (on). The display flashes the entered setting. Press **#** and the display shows the new setting.

Closing Reports (Reporting—Partition 1-2)
(partition 1: 06101, partition 2: 06201)

(Defaults = off) When this setting is on, the panel sends a closing report to the central station after arming the system.

Note
To use this feature, the *OPEN/CLOSE REPORTS* settings under the *PHONES* menu must be turned on for the specific CS Phone or Pager number.

To turn Closing Reports off or on:

- With the display showing *CLOSING REPORTS OFF/ON* (current setting), press **1** (off) or **2** (on). The display flashes the entered setting. Press **#** and the display shows the new setting.

Recent Closings (Reporting—Partition 1-2)
(partition 1: 06102, partition 2: 06202)

(Defaults = on) When this setting is on, the panel sends a recent closing report to the central station if an alarm occurs within two minutes *after* the exit delay time expires. Such a report is used to identify a possible exit fault.

To turn Recent Closings off or on:

- With the display showing *RECENT CLOSINGS OFF/ON* (current setting), press **1** (off) or **2** (on). The display flashes the entered setting. Press **#** and the display shows the new setting.

No Activity (Reporting—Partition 1-2)
(partition 1: 06103, partition 2: 06203)

(Defaults = off) When this setting is on, the panel sends a no activity report to the central station when the activity timeout expires (see *TIMERS—ACTIVITY TIMEOUT*).

To turn No Activity reports off or on:

- With the display showing *NO ACTIVITY OFF/ON* (current setting), press **1** (off) or **2** (on). The display flashes the entered setting. Press **#** and the display shows the new setting.

Duress Option (Reporting—Partition 1-2)
(partition 1: 06104, partition 2: 06204)

(Defaults = off) When this setting is on, the system can be controlled using a programmed duress code (see *SECURITY—PARTITION n—DURESS CODE*).

Do not use a duress code unless it is absolutely necessary. Using duress codes often results in false alarms due to code entry errors. If a duress code *is* absolutely necessary, use it with the audio verification module to reduce false alarms and accidental dispatches.

Note
For UL Listed installations, Duress Option must be set to off.

To turn Duress Option off or on:

- With the display showing *DURESS OFF/ON* (current setting), press **1** (off) or **2** (on). The display flashes the entered setting. Press **#** and the display shows the new setting.

Force Armed (Reporting—Partition 1-2)
(partition 1: 06105, partition 2: 06205)

(Defaults = off) When this setting is on, the panel reports to the central monitoring station when a user “force arms” the system.

Note
Forced arming occurs if the user presses *BYPASS* when arming the system with open sensors or zones protesting.

Auto-forced arming occurs if the user *does not* press *BYPASS* (when arming the system with open sensors/zones protesting) *and the siren time expires*.

Auto-forced arming *always* reports to the central monitoring station.

To turn Force Armed off or on:

- With the display showing *FORCE ARMED OFF/ON* (current setting), press **1** (off) or **2** (on). The display flashes the entered setting. Press **#** and the display shows the new setting.

Latchkey Format (Reporting—Partition 1, 2)
(06106—partition 1, 06206—partition 2)

(Defaults = off) This setting determines whether the selected partition is set up for basic (off) or advanced (on) latchkey opening report operation.

Basic:

If the partition is armed by entering 2 (or 3) + CODE, *disarming using a designated latchkey user code or keychain touchpad within an assigned time schedule* sends a page.

If the partition is armed by entering 2 (or 3) + CODE + 6 (LATCHKEY), *disarming using a designated latchkey user code or keychain touchpad inside or outside of an assigned time schedule* sends a page.

Advanced:

If the partition is armed by entering 2 (or 3) + CODE + 6 (LATCHKEY), *disarming using a latchkey designated user code or keychain touchpad within an assigned time schedule* sends a page.

Refer to the *User's Guide* for complete Latchkey setup and operation.

To turn Latchkey Format off or on:

1. With the desired partition selected, press [A] or [B] until the display shows *LATCHKEY FORMAT OFF/ON (current setting)*.
2. Press [1] (off—basic) or [2] (on—advanced). The display flashes the entered setting. Press [#] and the display shows the new setting.

Freeze Alarm (Reporting—Partition 1, 2)
(06107—partition 1, 06207—partition 2)

(Defaults = off) This setting determines whether the panel reports a freeze alarm to the central station or pager, when the selected partition's energy saver module detects a temperature that matches a predetermined setting (see *BUS DEVICES—UNIT ID—ENERGY OPTIONS—FREEZE TEMP*).

To turn Freeze Alarm reporting off or on:

1. With the desired partition selected, press [A] or [B] until the display shows *FREEZE ALARM OFF/ON (current setting)*.
2. Press [1] (off) or [2] (on). The display flashes the entered setting. Press [#] and the display shows the new setting.

Alarm Verify (Reporting—Partition 1-2)
(partition 1: 06108, partition 2: 06208)

(Defaults = off) This setting determines whether the panel reports to the central monitoring station after a single sensor or zone trip (off) or waits for a second trip before reporting (on).

This setting affects sensors/zones in groups 10 through 20. If Alarm Verify is set to on, group 18 responds the same as group 17 (see "Appendix B, Table B1, "Sensor Group Characteristics," on page 67).

Note

For UL Listed installations, Alarm Verify must be set to off.

To turn Alarm Verify off or on:

- With the display showing *ALARM VERIFY OFF/ON (current setting)*, press [1] (off) or [2] (on). The display flashes the entered setting. Press [#] and the display shows the new setting.

System Tamper (Reporting—Partition 1-2)
(partition 1: 06109, partition 2: 06209)

(Defaults = off) This setting determines how the panel handles possible tamper situations. When this feature is on, the panel reacts in the following two ways:

- The system goes into alarm if several attempts are made to disarm the system with incorrect access codes (40 consecutive keypresses).
- The panel reports to the central station if a bus device stops communicating with the panel.

Note

For UL Commercial Listed installations (UL 1610), System Tamper must be set to on.

To change the System Tamper setting:

- With the display showing *SYSTEM TAMPER OFF/ON (current setting)*, press [1] (off) or [2] (on). The display flashes the entered setting. Press [#] and the display shows the new setting.

Siren Options Menu

The *SIREN OPTIONS* menu lets you set up siren operation and supervision.

The following describes how to program the siren option settings that appear under *GLOBAL*.

Immediate Beeps (Siren Options—Global)
(0700)

(Default = off) This setting determines whether the panel activates trouble beeps as soon as a wireless device supervisory condition is detected (on), or if the panel waits until "supervisory time" to activate trouble beeps (off). (Refer to *TIMERS—GLOBAL—SUPERVISORY TIME*).

Note

For UL Listed installations, this feature must be on.

To turn Immediate Beeps off or on:

- With the display showing *IMMEDIATE BEEPS OFF/ON (current setting)*, press [1] (off) or [2] (on). The display flashes the entered setting. Press [#] and the display shows the new setting.

Disable Trouble Beeps (Siren Options—Global)
(0701)

(Default = off) When this setting is on, the panel will not beep to alert users of wireless device supervisory trouble.

Note

For UL Listed installations, Disable Trouble Beeps must be set to off.

To turn Disable Trouble Beeps off or on:

- With the display showing *DISABLE TR BEEPS OFF/ON (current setting)*, press [1] (off) or [2] (on). The display flashes the entered setting. Press [#] and the display shows the new setting.

UL 98 Options (0702) (Siren Options—Global)

(Default = off) This setting determines whether the panel complies with UL 98 requirements (4-hour trouble beep restart, 4-hour backup battery test, 4-hour smoke (group 26) zone supervisory).

Note
For UL Listed installations, this feature must be on.

To turn UL 98 Options off or on:

- With the display showing *UL 98 OPTIONS OFF/ON (current setting)*, press **1** (off) or **2** (on). The display flashes the entered setting. Press **#** and the display shows the new setting.

SWS Supv Code (0703) (Siren Options—Global)

(Default = 3) This setting determines the system house code number used for supervising wireless sirens.

Note
To supervise wireless sirens, Concord hardware panels must include a SuperBus 2000 RF Receiver. For all Concord panels, the siren must be learned into sensor group 33 for the system to process radio signals from wireless sirens.

Supervised Wireless Sirens receive signals from the panel through the existing electrical wiring. If sirens fail to receive or process these signals, the siren transmits a wireless signal to the panel/ receiver.

Note
You must set both the SWS Supv Code and the partition House Code (see the *LIGHT CONTROL* menu) before plugging in Supervised Wireless Sirens.

To set the SWS Supv Code:

- With the display showing *SWS SUPV CODE nnn (current code)*, enter the desired code (1–255). The display flashes the entered code. Press **#** and the display shows the new code.

Global Fire (0704) (Siren Options—Global)

(Default = off) This setting determines whether or not sirens in both partitions sound (on) if either partition activates a fire alarm.

To turn Global Fire off or on:

- With the display showing *GLOBAL FIRE OFF/ON (current setting)*, press **1** (off) or **2** (on). The display flashes the entered setting. Press **#** and the display shows the new setting.

The following sections describe the settings that appear under *SIREN OPTIONS—PARTITION 1*.

Siren Verify (0710) (Siren Options—Partition 1)

(Default = off) This setting determines whether or not the panel supervises the panel speaker terminals (7–8). When this feature is on, the panel will indicate a trouble condition if no speaker is connected to panel speaker terminals.

Note
For UL Listed installations, Siren Verify must be set to on.

To turn Siren Verify off or on:

- With the display showing *SIREN VERIFY OFF/ON (current setting)*, press **1** (off) or **2** (on). The display flashes the entered setting. Press **#** and the display shows the new setting.

Sensors Menu

The *SENSORS* menu gives you access to the following settings:

- LEARN SENSORS** lets you add (learn) hardwire zones, wireless sensors, and wireless touchpads into panel memory.
- SENSOR TEXT** lets you “name” the sensors and zones you have added to the system.
- DELETE SENSORS** lets you delete zones and sensors from panel memory.
- EDIT SENSORS** lets you view and, if desired, change a sensor group or partition assignment. You can also identify whether a zone is wireless or hardwire, whether it is configured as Normally Closed (N/C) or Normally Open (N/O), or if the zone is a touchpad.

Table 7: How to Trip Sensors

- Hardwire Zones**—Start with the zone in its “normal” state, then trip the zone into its alarm state. A normally closed door, for example, should be closed when you begin the Learn Sensors process. To trip the zone, open the door.
- Wireless Sensors**—follow the instructions included with each sensor.
- Wireless Door/Window Sensors with External Contacts**—place the external contact in the alarm condition, then activate the sensor tamper switch.
- Self Actuated Bell**—activate the tamper switch.
- Handheld Wireless Touchpads**—press the BYPASS button.
- Keychain Touchpads**—press and hold the lock and unlock buttons together until the touchpad LED flashes.
- ELM Keychain Touchpads**—
 - Press and release the unlock button twice quickly, then press and hold until the LED flashes three times.
 - Press and release the unlock button once quickly, then press and hold until the LED flashes two times.
 - Press and hold the unlock button until the LED flashes once.

The following describes how to program the sensor settings that appear under *LEARN SENSORS*.

| Learn Sensors (080) | (Sensors) |
|---|-----------|
| <p>(Default = none) The following describes how to add (learn) hardwire zones and wireless devices into panel memory.</p> <p>Note The panel comes with factory programmed onboard hardwire zones. Install 2k-ohm, end of line (EOL) resistors on all unused factory programmed onboard hardwire zones. If you don't want to install EOL resistors, delete any unused zones from memory. See Table 8 for onboard hardwire zone factory programming.</p> <p>To Learn Sensors into panel memory:</p> <ol style="list-style-type: none"> 1. With the display showing <i>SENSORS</i>, press [F5] and the display shows <i>LEARN SENSORS</i>. 2. Press [F5] and the display shows <i>SENSOR PTN 1</i>. 3. Press [F6] to select partition 1 or press [F7] + [F6] to select partition 2. The display should show <i>SENSOR GROUP 0</i>. 4. Enter the desired sensor group + [F5] (see Table B1 in "Appendix B" for a description of all sensor group characteristics). The display shows <i>TRIP SENSOR nn</i>, where nn is the displayed (next available) sensor number. 5. To change the displayed sensor number, enter the desired sensor number + [F5]. The desired sensor number is displayed. 6. With the desired sensor number displayed, use the guidelines in Table 7 (on page 36) to force the sensor or zone you are adding (learning) into the panel memory to send a signal to the panel. 7. To add another sensor to the same sensor group and partition, go back to step 5. 8. To add sensors to another sensor group or partition, press [F5] twice and go back to step 1 (<i>LEARN SENSORS</i>). <p>Note Sensors must be placed in a partition and group. To change the sensor group or partition assignment after adding a sensor or zone, use the <i>EDIT SENSORS</i> menu.</p> | |

Table 8: Onboard Hardwire Zone Factory Programming

| Zone Input | Group No. & Description |
|--|------------------------------|
| 1 | 10–Entry/Exit |
| 2 | 17–Instant Interior Follower |
| 3 | 13–Instant Perimeter |
| 4 | 13–Instant Perimeter |
| 5 | 13–Instant Perimeter |
| 6 | 13–Instant Perimeter |
| 7 | 13–Instant Perimeter |
| 8 | 13–Instant Perimeter |
| <p>Note If the panel memory is cleared, all onboard hardwire zone factory programming will be erased.</p> | |

| Sensor Text (081) | (Sensors) |
|--|-----------|
| <p>(Default = none) Use the following guidelines to "name" zone and sensor locations:</p> <ul style="list-style-type: none"> <input type="checkbox"/> Use the item numbers that appear in "Appendix B, Table B2, "Item Numbers and Sensor Text," on page 69 for characters and words listed there. <input type="checkbox"/> If a desired word does not appear in Table B2, create it using the characters (custom text). <input type="checkbox"/> When using words from Table B2, spaces between them appear automatically. When using characters from Table B2 to create words, you must reserve an item number for a 'space' after the word. <input type="checkbox"/> Each character or word uses up one item number. For example, a word from the list counts as one item number. A created word (such as BOY'S) counts as six item numbers—4 letters, 1 apostrophe, and 1 space. <input type="checkbox"/> Only 16 item numbers are allowed for each zone or sensor name, so plan ahead before programming sensor text. You may need to abbreviate words to avoid running out of item numbers. <p>To program Sensor Text:</p> <ol style="list-style-type: none"> 1. Press [A] or [B] until the display shows <i>SENSOR TEXT</i>. 2. Press [F5] and the display shows <i>TEXT FOR SN 01</i>. 3. Press [A] or [B] until the display shows the desired sensor number (or enter the desired sensor number and press [F5]). 4. Press [F5] and the display shows: <div style="text-align: center; margin: 5px 0;"> <i>SN 1 ITEM 0</i> <i>0 - _____</i> </div> <p style="margin-left: 40px;">where <i>ITEM 0</i> is the first character/word location and <i>0</i> is the character/word number.</p> 5. Enter the number of the desired character or word, or scroll through the numbers by pressing [B] (forward) or [A] (backward). If you make a mistake, simply enter the correct number or continue scrolling through choices. 6. Press [F5] to accept the displayed choice and the display shows: <div style="text-align: center; margin: 5px 0;"> <i>SN 1 ITEM 1</i> <i>0 - _____</i> </div> 7. Repeat steps 5 and 6 as needed to complete the zone or sensor name. 8. Press [F5] after entering the last character or word number. The display shows the complete text name. For example: <div style="text-align: center; margin: 5px 0;"> <i>TEXT FOR SN 01</i> <i>FRONT ENTRY DOOR</i> </div> | |

Delete Sensors (Sensors) (082)

(Default = none) The following procedure describes how to remove hardwire zone and wireless sensor numbers from panel memory.

Note

Deleting sensors does not delete sensor text associated with the deleted sensor number. To delete sensor text, enter the SENSOR TEXT menu and enter 000 (nulls) for each item number.

To Delete Sensors from panel memory:

1. Press **[A]** or **[B]** until the display shows *DELETE SENSORS*.
2. Press **[#]** and the display shows *DELETE SENSOR NN* (lowest zone/sensor number in panel memory).
3. Press **[#]** to delete the displayed sensor or—enter the desired sensor number, then press **[#]**.

Repeat steps 2 and 3 until all desired sensors are deleted.

Edit Sensors (Sensors) (083)

(Default = none) This menu lets you view and, if desired, change the group and partition assignment for each learned zone or sensor. For example, the display shows:

*S01 P1 G13 NC HW
BACK DOOR*

where:

S01 = zone/sensor number,
P1 = partition 1,
G13 = sensor group 13,
NC = normally closed,
HW = hardwired, and
BACK DOOR is the programmed text name.

other description codes include:

RF = wireless sensor
TP = touchpad
NO = normally open.

To Edit Sensors:

1. Press **[A]** or **[B]** until the display shows *EDIT SENSORS*.
2. Press **[#]** and the display shows the sensor or zone with the lowest number.
3. Press **[A]** or **[B]** to scroll through all learned zones and sensors.
4. When the desired zone or sensor is displayed, press **[#]**. The display shows *SENSOR PTN n* (current partition assignment).
5. Enter the desired partition number, then press **[#]**. The display shows the new partition assignment.
6. Press **[A]** or **[B]** and the display shows *SENSOR GROUP nn* (current group assignment).
7. Enter the desired group number, then press **[#]**. The display shows the new group assignment.

Audio Verification Menu

The *AUDIO VERIFICATION* menu lets you set up the audio verification module (AVM) operation in partition 1. If you want audio verification for partition 2, you must install a “stand-alone” audio verification module and a 4-Relay Output Module (HOM) (60-770) output for that partition.

The following sections describe the audio verification settings that appear under *PARTITION 1*.

Audio Verify (Audio Verification—Partition 1) (0900)

(Default = off) This setting determines whether or not the system can be accessed by phone for alarm verification.

To turn Audio Verification off or on:

1. With the display showing *AUDIO VERIFICATION*, press **[#]**. The display shows *PARTITION 1*.
2. Press **[#]** again and the display shows *AUDIO VERIFY OFF/ON* (current setting).
3. Press **[1]** (off) or **[2]** (on). The display flashes the entered setting. Press **[#]** and the display shows the new setting.

Audio Mode (Audio Verification—Partition 1) (0901)

(Default = 1) This setting determines how the audio verification module operates. Choose one of the following:

- (1) Instant**—Allows the central station operator instant access for an audio session by entering the AVM code or by pressing **[*]** (if an AVM access code is not programmed) upon completion of panel alarm report (also see *ACCESS TIMEOUT*).
- (2) Callback**—Allows the central station operator to contact persons on the premises after one ring and verify the alarm report. Operator must press **[*]** or enter the AVM access code within 20 seconds after ring. The panel does not report any alarms during the AVM session, except for fire alarms.
- (3) Callback Silent**—Same as Callback, except premises phones do not ring.

To set Audio Mode:

1. With the display showing *AUDIO VERIFY OFF/ON*, press **[A]** or **[B]** until the display shows *AUDIO MODE nn* (current setting).
2. Enter the desired mode number (1–3). The display flashes the entered setting. Press **[#]** and the display shows the new setting.

Fire Shutdown (Audio Verification—Partition 1) (0902)

(Default = off) This setting determines whether system sirens turn off during a fire alarm audio session.

To turn Fire Shutdown off or on:

1. With the display showing *AUDIO VERIFY OFF/ON*, press **[A]** or **[B]** until the display shows *FIRE SHUTDOWN OFF/ON* (current setting).
2. Press **[1]** (off) or **[2]** (on). The display flashes the entered setting. Press **[#]** and the display shows the new setting.

Silent Talkback (Audio Verification—Partition 1)
(0903)

(Default = off) This setting determines whether the central station operator can speak to persons on the premises (on) or only listen (off) during a silent or duress alarm audio session.

To turn Silent Talkback off or on:

1. With the display showing *AUDIO VERIFY OFF/ON*, press [A] or [B] until the display shows *SILENT TALKBACK OFF/ON* (current setting).
2. Press [1] (off) or [2] (on). The display flashes the entered setting. Press [#] and the display shows the new setting.

Access Timeout (Audio Verification—Partition 1)
(0904)

(Default = 90 sec) If the Audio Mode is set to “Instant,” then this setting determines how much time (30–300s, in 2-second increments) the central station operator has to enter the AVM access code after the panel is accessed for an audio session.

To change the Access Timeout:

1. With the display showing *AUDIO VERIFY OFF/ON*, press [A] or [B] until the display shows *ACCESS TIMEOUT nn SECS* (current setting).
2. Enter the desired time. The display flashes the entered setting. Press [#] and the display shows the new setting.

Beep Delay (Audio Verification—Partition 1)
(0905)

(Default = 02 sec) This setting determines how long AVM access beeps are delayed (0–300s, in 2-second intervals) at the beginning of a 2-way audio session.

To change the Beep Delay:

1. With the display showing *AUDIO VERIFY OFF/ON*, press [A] or [B] until the display shows *BEEP DELAY nn SECS* (current setting).
2. Enter the desired time. The display flashes the entered setting. Press [#] and the display shows the new setting.

Access Code (Audio Verification—Partition 1)
(0906)

(Default = **** or none) This setting determines the code required to access the audio verification module to start an audio session. If no code is programmed, pressing [*] starts an audio session.

To change the Access Code:

1. With the display showing *AUDIO VERIFY OFF/ON*, press [A] or [B] until the display shows *ACCESS CODE nnnn* (current code).
2. Enter the desired **4-digit access code**. The display flashes the entered code. Press [#] and the display shows the new setting.

To delete an Access Code:

1. With the display showing *AUDIO VERIFY OFF/ON*, press [A] or [B] until the display shows *ACCESS CODE nnnn* (current code).
2. Press [0] to delete.

Accessory Modules Menu

The *ACCESSORY MODULES* menu gives you access to the following menus:

- ❑ *BUS DEVICES*—this menu lets you read bus device unit numbers, assign bus devices to a partition, and configure other features associated with a specific bus device.
- ❑ *SNAPCARDS*—this menu lets you set the configuration number for each SnapCard output, assign SnapCard outputs to a partition, and name the SnapCard outputs.

The following procedure describes how to program the settings that appear under *ACCESSORY MODULES—BUS DEVICES*.

Note

Most settings under *ACCESSORY MODULES—BUS DEVICES* have no shortcut numbers.

Unit - ID (Acc. Modules—Bus Devices)
(10000 thru 10015)

(Default = none) This menu lets you identify all connected bus devices, view each Unit Number, view the Device ID number, and configure other settings based on a specific device. This menu also lets you delete learned bus devices.

To identify bus device Unit and ID:

1. With the display showing *BUS DEVICES*, press [#]. The display shows the bus Unit Number and the 8-digit Device ID number. For example:

UNIT - ID
0—02110185

where 0 is the Unit Number and 02110185 is the Device ID number.

Note

To help identify bus devices, the 8-digit Device ID number is also located on a label on each SuperBus 2000 device.

2. Press [A] or [B] to identify all other bus Unit Numbers (0–15) and Device ID numbers.

To delete learned Unit Numbers:

1. With the display showing *BUS DEVICES*, press [#]. The display shows the bus device set to Unit Number 0.
2. Press [A] or [B] until the bus device Unit Number you want to delete is displayed.
3. Press [0]. The display changes the Unit Number to *NONE*.

Device ID (Acc. Modules—Bus Devices
—Unit ID—Change ID)

(Default = none) This menu lets you change the bus device ID number when replacing a defective bus device.

To change a Device ID:

1. With the display showing the desired bus device, press **#** + **#**. The display shows *DEVICE ID (current ID)*.
2. Enter the ID of the new bus device. The display flashes the entered selection. Press **#** and the display shows the new setting.
3. Exit programming mode.
4. Remove AC and battery power from the panel.
5. Replace the defective bus device with a new one.
6. Apply AC and battery power to the panel.

Partition Assign (Acc. Modules—Bus Devices
—Unit ID—Device Partition)

(Default = 1) This menu lets you assign bus devices to work in the desired partition.

Note

SuperBus 2000 8Z Input Modules, SuperBus 2000 4-Relay Output Modules, and SuperBus 2000 RF Receivers are not assigned to partitions.

To assign bus devices to partitions:

1. With the display showing the desired bus device, press **#**.
2. Press **A** or **B** until the display shows *DEVICE PTN* and then press **#**. The display shows *PARTITION ASSIGN n*.
3. Press **1** or **2** to select the desired partition. The display flashes the entered selection. Press **#** and the display shows the new setting.

Output Programming (Acc. Modules—
—Unit ID—Outputs)

Use these settings to program the output points of any installed SuperBus 2000 Hardwire Output Module. The installer programs a HOM output point into the Concord security panel by entering three kinds of information.

1. Partition: the system partition (1 or 2).
2. Trigger: the event that activates the output point. Trigger events can be partition alarms, trouble conditions, open sensors, etc. (see Appendix B: Reference Tables).
3. Response: how the output responds when trigger event occurs (see Appendix B: Reference Tables).

This section describes how to program each of the HOM output point configurations into the security panel. The point configuration number is *tttrr*, where *ttt* is the trigger number and *rr* is the response number.

Note

HOM output points cannot be configured for user control. Only the onboard and SnapCard outputs can be configured for user control.

1. With the display showing the desired bus device, press **#**.
2. Press **A** or **B** until the display shows *OUTPUTS*.
3. Press **#**. The display shows *OUTPUT 1*.
4. Press **A** or **B** to select an output, then press **#**. The display shows *PARTITION ASSIGN 1*.
5. Press **1** or **2** to select the desired partition assignment for this relay. The display flashes the entered setting. Press **#** and the display shows the new setting.
6. Press **A** or **B**. The display shows *CONFIGURATION tttrr (current setting)*.
7. Enter the desired 5-digit configuration number for this relay. The display flashes the entered setting. Press **#** and the display shows the new setting.
8. Press **#** and repeat steps 4 through 8 until all outputs are programmed

Status Beeps (Acc. Modules—Bus Devices
—Unit ID—Keypad Options)

(Default = on) This setting determines whether or not the selected touchpad sounds status beeps. Each touchpad can be set individually.

This feature is usually turned off for a touchpad that is located in or near bedrooms, to avoid disturbing sleeping persons.

Note

For UL Listed installations, Status Beeps must be set to on.

To turn touchpad Status Beeps on or off:

1. With the display showing the desired touchpad, press **#** then **A** or **B** until the display shows *KEYPAD OPTIONS*.
2. Press **#** and the display shows *STATUS BEEPS OFF/ON (current setting)*.
3. Press **1** (off) or **2** (on) to select the desired setting. The display flashes the entered selection. Press **#** and the display shows the new setting.

Key Beeps (Acc. Modules—Bus Devices
—Unit ID—Keypad Options)

(Default = on) This setting determines whether or not selected touchpads beep when their buttons are pressed.

This feature is usually turned off for a touchpad that is located in or near bedrooms, to avoid disturbing sleeping persons.

To turn Key Beeps on or off:

1. With the display showing the desired touchpad, press **#** then **A** or **B** until the display shows *KEYPAD OPTIONS*. Next, press **#** then **A** or **B** until the display shows *KEY BEEPS OFF/ON (current setting)*.
2. Press **1** (off) or **2** (on) to select the desired setting. The display flashes the entered selection. Press **#** and the display shows the new setting.

Freeze Temp (Acc. Modules—Bus Devices
—Unit ID—Energy Options)

(Default = 42°F) This setting determines the temperature point that the Energy Saver Module detects a potential freeze (heating failure) condition. The adjustable range is from 40° to 90°F.

To change the Freeze Temp setting:

1. With the display showing the desired bus device press **#**, then **A** or **B** until the display shows *ENERGY OPTIONS*. Next, press **#** then **A** or **B** until the display shows *FREEZE TEMP nn DEGREES (current setting)*.
2. Enter the desired freeze temperature (40°–90° F). The display flashes the entered selection. Press **#** and the display shows the new setting.

Temperature (Acc. Modules—Bus Devices
—Unit ID—Energy Options)

(Default = none) This setting lets you adjust the Energy Saver Module (ESM) room temperature setting to match the premises thermostat. The adjustable range is from 40°–90°F.

Note

To ensure accuracy, wait at least 15 minutes before setting the ESM temperature to allow the ESM to warm or cool to actual room temperature.

To change the ESM Temperature setting:

1. With the display showing the desired bus device press **#**, then **A** or **B** until the display shows *ENERGY OPTIONS*. Next, press **#** and then **A** or **B** until the display shows *TEMPERATURE nn DEGREES (current setting)*.
2. Enter the desired temperature (40°–90° F). The display flashes the entered selection. Press **#** and the display shows the new setting.

Cellular System (Acc. Modules—Bus Devices
—Unit ID—Cellular Options)

(Default = B) This setting determines the cellular transmission system (A or B) used for cellular communication. This information is provided by the cellular provider based on installation ZIP code.

To set the Cellular System:

1. With the display showing the desired bus device press **1**, (B) or **2** (A). The display flashes the entered selection. Press **#** and the display shows the new setting.

The following describes how to program the settings that appear under *SNAPCARDS*.

Output Programming (Acc. Modules—SnapCards
—Output Programming)
(101001—output 1, 101011—output 2, 101021—output 3, 101031—output 4)

(Defaults: Partition Assign = all 1, Configuration Output 1 = 01400, Output 2 = 00410, Output 3 = 00903, Output 4 = 01003)

This setting lets you assign a partition and a 5-digit configuration number for each SnapCard relay output. This number determines both which system event activates the output and the duration or time the output is activated.

1. Partition: the system partition (1 or 2).
2. Configuration number: The combination of a trigger and a response.

Trigger: the event that activates the output point. Trigger events can be partition alarms, trouble conditions, open sensors, etc. (see Appendix B: Reference Tables).

Response: how the output responds when trigger event occurs (see Appendix B: Reference Tables).

This section describes how to program each of the output point configurations into the security panel. The point configuration number is *tttrr*, where *ttt* is the trigger number and *rr* is the response number.

To assign configuration numbers to SnapCard Relay outputs:

1. With the display showing *SNAPCARDS*, press **#**. Then press **A** or **B** until the display shows *OUTPUT PROGRAMMING*.
2. Press **#** again and the display shows *OUTPUT 1*.
3. Press **A** or **B** to select the desired output (1–4), then press **#**.
4. With the display showing *PARTITION ASSIGN 1*, press **1** or **2** to select the desired partition. Press **#** to confirm the partition.
5. Press **A** or **B** until the display shows *CONFIGURATION tttrr (current setting)*.
6. Enter the desired 5-digit configuration number for this relay. Press **#** to confirm the setting.
7. Press **#** and repeat steps 3 through 6 until all outputs are programmed.

Output Text (Acc. Modules—SnapCards—Output Text)
(10110—output 1, 10111—output 2, 10112—output 3, 10113—output 4)

(Defaults = none) Entering text for an output allows the user to control it directly or by schedule. Use the following guidelines to “name” SnapCard outputs:

- ❑ Use the item numbers that appear in “Appendix B, Table B2” for characters and words listed there.
- ❑ If a desired word does not appear in Table B2, create it using the characters (custom text).
- ❑ When using words from Table B2, spaces between them appear automatically. When using characters from Table B2 to create words, you must reserve an item number for a ‘space’ after the word.
- ❑ Each character or word uses up one item number. For example, a word from the list counts as one item number. A created word (such as BOY’S) counts as six item numbers—4 letters, 1 apostrophe, and 1 space.
- ❑ Only 16 item numbers are allowed for each output name, so plan ahead before programming output text. You may need to abbreviate words to avoid running out of item numbers.

Note

If you desire an output for User Output Control you must use the Output Text feature to name the output. If no Output Text is programmed, the user will not have access to the output.

To program Output Text:

1. With the display showing *SNAPCARDS*, press **#**, then **A** or **B** until the display shows *OUTPUT TEXT*.
2. Press **#** and the display shows *OUTPUT 1*.
3. Press **A** or **B** until the desired output number is displayed.
4. Press **#** and the display shows:

OUTPUT N ITEM 0
0 -

where *ITEM 0* is the first character/word location and *0* is the character/word number.

5. Enter the number of the desired character or word, or scroll through the numbers by pressing **B** (forward) or **A** (backward). If you make a mistake, simply enter the correct number or continue scrolling through choices.
6. Press **#** to accept the displayed choice and the display shows:

OUTPUT N ITEM 1
0 -

7. Repeat steps 4 and 5 as needed to complete the output name.
8. Press ***** after entering the last character or word number. The display shows the complete text name. For example:

OUTPUT 1
GARAGE DOOR

OUTPUT PROGRAMMING—This menu lets you set configuration numbers for the two built-in panel outputs and assign the outputs to partitions.

OUTPUT TEXT—This menu lets you assign text to the output allowing the output to be controlled by the user.

The following sections describe the settings that appear under *ONBOARD OPTIONS—INPUTS*

Smoke Verify (Onboard Options—Inputs)
(1100)

(Default = off) This setting determines whether the panel requires one alarm signal (off) or two alarm signals within five minutes (on) before activating system sirens and reporting to a central station. This setting affects 2-wire smoke detectors connected to a SnapCard zone input or any other hardwire zone learned into sensor group 26 (FIRE).

Note

For California State Fire Marshall (CSFM) Listed installations, Smoke Verify must be set to off.

To turn Smoke Verify off or on:

1. With the display showing *ONBOARD OPTIONS*, press **#** twice. The display shows *SMOKE VERIFY OFF/ON (current setting)*.
2. Press **1** (off) or **2** (on). The display flashes the entered number. Press **#** and the display shows the new setting.

Two Wire Smoke (Onboard Options—Inputs)
(1101)

(Default = off) This setting determines how onboard hardwire zone 8 is configured. When this setting is on, zone 8 will be configured for two wire smoke detectors. When off, it will be configured for a normal hardwire input.

To turn Smoke Verify off or on:

1. With the display showing *ONBOARD OPTIONS*, press **#** twice. The display shows *SMOKE VERIFY OFF/ON (current setting)*.
2. Press **A** or **B** until the display shows *TWO WIRE SMOKE ON/OFF (current setting)*.
3. Press **1** (off) or **2** (on). The display flashes the entered number. Press **#** and the display shows the new setting.

The following sections describe the settings that appear under *ONBOARD OPTIONS—OUTPUT PROGRAMMING*.

Onboard Options Menu

The *ONBOARD OPTIONS* menu lets you set up the following built-in options:

INPUTS—This menu lets you turn the Smoke Verification and the Two Wire Smoke features off or on.

Output 1, 2 (Onboard Options Output Programming)
Output 1: partition assign—11100, configuration—11101
Output 2: partition assign—11110, configuration—11111

(Defaults: Output 1 = Ptn 1, 01614; Output 2 = Ptn. 1, 01710)
 This setting lets you assign the partition and the 5-digit configuration number.

The configuration number determines

- which system event activates the selected output, and
- the duration or time the output is activated.

The first three digits represent the trigger number of an event (such as triggering an alarm, opening a sensor, or arming the system). The last two digits represent how the output responds (such as momentary switching, maintained (or latched) switching, or switching for a preset time).

Note

If you want to configure an output for user Output Control you must use the Output Text feature to name the output. If no Output Text is programmed, Output Control will not function for that output.

Use the system event trigger and response numbers listed in Appendix B: Reference Tables.

To set up onboard Output 1 & 2 partition and configuration assignments:

1. With the display showing *ONBOARD OPTIONS*, press **[F]** + **[G]**. The display shows *OUTPUT PROGRAMMING*.
2. Press **[F]** and the display shows *OUTPUT 1*. Press **[G]** to select *OUTPUT 2*.
3. Press **[F]** and the display shows *PARTITION ASSIGN n (current setting)*.
4. Press **[1]** or **[2]** to assign the output to the desired partition, then press **[F]**. The display shows *PARTITION ASSIGN (new setting)*.
5. Press **[G]** and the display shows *CONFIGURATION TTTRR (current setting)*.
6. Enter the desired configuration number. The display flashes the entered number. Press **[F]** and the display shows the new setting.
7. Press **[F]** and repeat steps 2 through 6 until all outputs are programmed.

Output Text (Onboard Options Output Text —Output 1, 2)
 (1120—output 1, 1121—output 2)

(Defaults = none) Use the following guidelines to “name” onboard outputs:

- Use the item numbers listed in “Appendix B, Table B2” for characters and words.
- If a desired word does not appear in Table B2, create it using the characters (custom text).
- When using words from Table B2, spaces between them appear automatically. When using characters from Table B2 to create words, you must reserve an item number for a ‘space’ after the word.
- Each character or word uses up one item number. For example, a word from the list counts as one item number. A created word (such as BOY’S) counts as six item numbers—4 letters, 1 apostrophe, and 1 space.
- Only 16 item numbers are allowed for each output name, so plan ahead before programming output text. You may need to abbreviate words to avoid running out of item numbers.

Note

If you want to configure an output for user Output Control you must use the Output Text feature to name the output. If no Output Text is programmed, Output Control will not function for that output.

To program Output Text:

1. With the display showing *ONBOARD OPTIONS*, press **[F]** then press **[G]** twice and the display shows *OUTPUT TEXT*.
2. Press **[F]** and the display shows *OUTPUT 1*.
3. Press **[F]** and the display shows:

OUTPUT 1 ITEM 0
0 -

where *ITEM 0* is the first character or word location and *0* is the character or word number.

4. Enter the number of the desired character or word, or scroll through the numbers by pressing **[G]** (forward) or **[A]** (backward). If you make a mistake, simply enter the correct number or continue scrolling through choices.
5. Press **[F]** to accept the displayed choice and the display shows:

OUTPUT 1 ITEM 1
0 -

6. Repeat steps 4 and 5 as needed to complete the output name.
7. Press **[F]** after entering the last character or word number. The display shows the complete text name. For example:

OUTPUT 1
GARAGE DOOR

Exiting Programming Mode

After all installer/dealer programming is completed, use the following procedure to exit programming mode.

To exit programming mode:

1. Press **[X]** until the display shows *SYSTEM PROGRAMMING*.
2. Press **[A]** or **[G]** until the display shows *EXIT PROGRAMMING READY*.
3. Press **[F]** and the touchpad displays the time and date.

Entering User Programming Mode

The user programming mode lets you view system version information and program the following system settings:

- Time and Date
- User Codes
- Options
- Set Up Schedules
- Attach Schedules to Events
- Energy Saver
- Attach Lights to Sensors
- System Version

You can enter user programming from an alphanumeric or fixed display touchpad by using the system or partition master code.

The default system master code is 1234.

To enter user-programming mode:

Press [9] + [0][0][E]. The display shows *TIME AND DATE*.

Time and Date Menu

The panel uses a global clock and calendar for time and date. Alphanumeric touchpads display the panel time and date whenever the system is disarmed.

The *TIME AND DATE* menu lets you set this clock and calendar. The following procedures tell you how.

Note

Setting the time and date is important for accurate tracking of system events stored in the event buffer.

| Time (020) | (Time and Date) |
|--|-----------------|
| (Default = 00:00) This setting lets you adjust the panel clock to the correct time. The panel uses a 24-hour clock. For example, to set the time to 4:17 P.M., enter 1617. | |
| To set the Time: | |
| 1. With the display showing <i>TIME AND DATE</i> , press [F] and the display shows <i>TIME hh:mm (current time)</i> . | |
| 2. Enter the correct time (0000–2359). The display flashes the entered time. Press [F] and the display shows the new time. | |

| Date (021) | (Time and Date) |
|---|-----------------|
| (Default = 01/01/00) This setting lets you adjust the panel calendar to the correct month, day, and year. | |
| To set the Date: | |
| 1. With the display showing <i>TIME AND DATE</i> , press [F], then [A] or [B] until the display shows <i>DATE nn/nn/nn (current date)</i> . | |
| 2. Enter the correct month (01–12), day (01–31), and year (00–99). For example, enter 090100 for September 1, 2000. The display flashes the entered date. Press [F] and the display shows the new date. | |

User Codes Menu

The *USER CODES* menu lets you program/change regular user access codes, partition master codes, and the system

master code. You can enter up to 60 separate user codes, allowing up to 60 different “users” access to the security system. You can also specify whether or not a specific user is able to perform specific actions like, bypass sensors or test the system.

| User NN | (User Codes—Reg. User Codes—User NN) |
|--|--------------------------------------|
| (030nn0 where nn=user number 00-59) | |
| (Default = none) User codes perform basic arming and disarming functions. The system allows up to 60 user codes (user numbers 00–59). User numbers that show **** indicate no code is currently programmed for that user number. | |
| To program Regular User Codes: | |
| 1. With the display showing <i>USER CODES</i> , press [F] and the display shows <i>REGULAR USER CODES</i> . | |
| 2. Press [F] and the display shows <i>USER nn (first available user number)</i> . | |
| 3. Press [A] or [B] to select the desired user number, then press [F]. The display shows <i>USER nn - nnnn</i> . | |
| 4. With the desired user number displayed, enter a 4-digit user code. The display flashes the entered code. Press [F] and the display shows <i>USER nn - nnnn (new code)</i> . | |
| To delete Regular User Codes: | |
| 1. With the display showing <i>USER CODES</i> , press [F] and the display shows <i>REGULAR USER CODES</i> . | |
| 2. Press [F] and the display shows <i>USER nn - nnnn (first available user number)</i> . | |
| 3. Press [A] or [B] to select the desired user number/user code you want to delete (if it is not already displayed), then press [F]. The display shows <i>USER nn - nnnn</i> . | |
| 4. Enter the system or partition master code. The display flashes the entered code. Press [F] and the display shows <i>USER nn - **** (no code)</i> . | |

| Direct Bypassing | (User Codes—Reg. User Codes—User NN) |
|--|--------------------------------------|
| (030nn1 where nn=user number 00-59) | |
| (Default = off) This setting determines whether or not a specific user code provides access to the “bypass sensors” feature. Set this feature to “on” for all users who need to be able to bypass sensors. | |
| To turn user code Direct Bypassing off or on: | |
| 1. With the display showing <i>USER CODES</i> , press [F] and the display shows <i>REGULAR USER CODES</i> . | |
| 2. Press [F] and the display shows <i>USER nn (first available user number)</i> . | |
| 3. Press [A] or [B] to select the desired user number, then press [F]. The display shows <i>USER nn - nnnn</i> . | |
| 4. Press [A] or [B] until the display shows <i>DIRECT BYPASSING OFF/ON (current setting)</i> . | |
| 5. Press [1] (off) or [2] (on). The display flashes the entered setting. Press [F] and the display shows the new setting. | |

Remote Access (User Codes—Reg. User Codes
—User NN)

(030nn2 where nn=user number 00-59)

(Default = off) This setting determines whether or not the user can access the panel from a remote phone (a phone located off the premises).

To turn user code Remote Access off or on:

1. With the display showing *USER CODES*, press **#** and the display shows *REGULAR USER CODES*.
2. Press **#** and the display shows *USER nn* (first available user number).
3. Press **A** or **B** to select the desired user number, then press **#**. The display shows *USER nn - nnnn*.
4. Press **B** until the display shows *REMOTE ACCESS ON/OFF* (current setting).
5. Press **1** (off) or **2** (on). The display flashes the entered setting. Press **#** and the display shows the new setting.

Partition Jump (User Codes—Reg. User Codes
—User NN)

(030nn3 where nn=user number 00-59)

(Default = off) This setting determines whether or not a specific user code can access one or both partitions. When this is set to on, the user can access both partitions.

To turn user code Partition Jump off or on:

1. With the display showing *USER CODES*, press **#** and the display shows *REGULAR USER CODES*.
2. Press **#** and the display shows *USER nn* (first available user number).
3. Press **A** or **B** to select the desired user number, then press **#**. The display shows *USER nn - nnnn*.
4. Press **B** until the display shows *PARTITION JUMP OFF/ON* (current setting).
5. Press **1** (off) or **2** (on). The display flashes the entered setting. Press **#** and the display shows the new setting.

System Tests (User Codes—Reg. User Codes
—User NN)

(030nn4 where nn=user number 00-59)

(Default = off) This setting determines whether or not a specific user code provides access to the phone and sensor tests. Set this feature to “on” for all users who need to be able to conduct phone and sensor tests.

To turn user code System Tests off or on:

1. With the display showing *USER CODES*, press **#** and the display shows *REGULAR USER CODES*.
2. Press **#** and the display shows *USER nn* (first available user number).
3. Press **A** or **B** to select the desired user number, then press **#**. The display shows *USER nn - nnnn*.
4. Press **A** or **B** until the display shows *SYSTEM TESTS OFF/ON* (current setting).
5. Press **1** (off) or **2** (on). The display flashes the entered setting. Press **#** and the display shows the new setting.

Latchkey Report (User Codes—Reg. User Codes
—User NN)

(030nn5 where nn=user number 00-59)

(Defaults: 00–05 = on, 06–59 = off) This setting determines whether or not the user code causes a latchkey report to be sent to a pager when the code is used to change arming levels.

To assign the Latchkey Report attribute to user codes:

1. With the display showing *USER CODES*, press **#** and the display shows *REGULAR USER CODES*.
2. Press **#** and the display shows *USER nn* (first available user number).
3. Press **A** or **B** to select the desired user number, then press **#**. The display shows *USER nn - NNNN*.
4. Press **A** or **B** until the display shows *LATCHKEY OFF/ON* (current setting).
5. Press **1** (off) or **2** (on). The display flashes the entered setting. Press **#** and the display shows the new setting.

Partition Master (User Codes—
Partition Master Code)

(partition 1: 0310, partition 2: 0311)

(Defaults = none) The Partition Master Code provides access to all system operations and user programming for a single partition.

Note

You must be “in” the partition of the partition master code you wish to change.

To change the Partition Master Code:

1. With the display showing *USER CODES*, press **#** then **A** or **B** until the display shows *PARTITION MASTER CODE*.
2. Press **#** and the display shows *PARTITION nnnn* (current code).
3. Enter a new 4-digit code. The display flashes the entered code. Press **#** and the display shows the new code.

System Master (User Codes—
System Master Code)

(0320)

(Default = 1234) The System Master Code provides access to all system operations and user programming.

To change the System Master Code:

1. With the display showing *USER CODES*, press **#** then **A** or **B** until the display shows *SYSTEM MASTER CODE*.
2. Press **#** and the display shows *SYSTEM MASTER NNNN* (current code).
3. Enter a new 4-digit code. The display flashes the entered code. Press **#** and display shows the new code.

Options Menu

The *OPTIONS* menu lets you set up the system for downloading and silent arming. You can also adjust alphanumeric touchpad display brightness from this menu.

Downloading (040) (Options)

(Default = on) When this setting is on, the panel can communicate with ITI ToolBox software for programming the system from off-site.

Note

For this feature to work, the panel must be connected to a phone line and be programmed with *REMOTE ACCESS* on, with a Downloader phone number, and with a Downloader code.

To turn Downloading off or on:

1. Press **A** or **B** until the display shows *OPTIONS*.
2. Press **#**, then **A** or **B** until the display shows *DOWNLOADING OFF/ON (current setting)*.
3. Press **1** (off) or **2** (on). The display flashes the entered selection. Press **#** and the display shows the new setting.

Silent Arming (041) (Options)

(Default = off) This setting determines whether or not the panel sounds status beeps from sirens and the touchpad when the system is armed.

Note

When this feature is on, the user does not need to press 5 (SILENT) before arming the system to prevent status sounds.

To turn Silent Arming off or on:

1. Press **A** or **B** until the display shows *OPTIONS*.
2. Press **#**, then **A** or **B** until the display shows *SILENT ARMING OFF/ON (current setting)*.
3. Press **1** (off) or **2** (on). The display flashes the entered selection. Press **#** and the display shows the new setting.

Touchpad Brightness (042) (Options)

(Default = 2) This setting lets the user lighten or darken the background on touchpad displays. Each touchpad can be set to compensate for lighting conditions in the touchpad location.

To adjust Touchpad Brightness:

1. Press **A** or **B** until the display shows *OPTIONS*.
2. Press **#**, then **A** or **B** until the display shows *TOUCHPAD BRIGHTNESS n (current setting)*.
3. Enter a setting from 0 (darkest background) to 3 (brightest background). The display flashes the entered selection. Press **#** and the display shows the new setting.

Volume (043) (Options)

(Default = 4) This setting determines the volume level of status sounds from speakers connected to the Phone Interface/Voice Module.

Note

This menu appears *only* if a Phone Interface/Voice Module is connected to the panel.

To adjust status sound Volume:

1. Press **A** or **B** until the display shows *OPTIONS*, then press **#**.
2. Next, press **A** or **B** until the display shows *VOLUME n (current setting)*.
3. Enter a setting from 0 (off) to 7 (loudest). The display flashes the entered selection. Press **#** and the display shows the new setting.

Voice Chime (044) (Options)

(Default = on) This setting determines whether speakers connected to the Phone Interface/Voice Module announce perimeter sensor/zone numbers that are tripped when the Chime feature is on. For example, "Sensor one open."

Note

This menu appears *only* if a Phone Interface/Voice Module is connected to the panel.

To turn Voice Chime off or on:

1. Press **A** or **B** until the display shows *OPTIONS*.
2. Press **#** then **A** or **B** until the display shows *VOICE CHIME OFF/ON (current setting)*.
3. Press **1** (off) or **2** (on). The display flashes the entered selection. Press **#** and the display shows the new setting.

Chime On Close (045) (Options)

(Default = off) When this setting is on, the panel sounds a single chime when a perimeter door or window is closed.

To turn Chime On Close off or on:

1. Press **A** or **B** until the display shows *OPTIONS*.
2. Press **#** then **A** or **B** until the display shows *CHIME ON CLOSE OFF/ON (current setting)*.
3. Press **1** (off) or **2** (on). The display flashes the entered selection. Press **#** and the display shows the new setting.

Set Up Schedules Menu

The *SET UP SCHEDULES* menu lets you set up time frames for light control and exception opening/closing reports. The system (all partitions) allows you to set up to 16 schedules (00–15).

Setting up schedules consists of setting a start and stop time for each schedule, then selecting which days of the week the schedule will be active. You can also set up a *rollover* schedule, which starts on one day and ends on another day. This saves programming time and leaves more schedules available (in case they are needed later).

Rollover Schedule Example: To set up a schedule to rollover from Tuesday evening to Wednesday morning, set a

schedule start time for 2200 (10:00 P.M.) and a stop time for 0500 (5:00 A.M.). Set the schedule to turn on Tuesday. Because the stop time is set for morning, the system automatically carries the schedule over to the next day.

If you use the same start and stop times described above and set the schedule to turn on Monday through Friday, then one schedule will cover the entire week.

Note

If you are programming schedules for your customer, be sure to record the settings in the *User's Manual*.

Set Up Schedules
05XXY where XX = schedule 00 thru 15 and Y = start (0)/stop(1) 0 thru 8—Monday thru Sunday (2–8))

(Defaults = 00:00) This menu lets you set up start/stop times for each day of the week.

To set up a Time Schedule:

1. Press **[A]** or **[B]** until the display shows *SET UP SCHEDULES*.
2. Press **[#]** and the display shows *SCHEDULE 00*. If you want a different schedule number, press **[A]** or **[B]** until the desired schedule number appears.
3. Press **[#]** and the display shows *START TIME hh:mm (current setting)*.
4. Enter the desired starting time (00:00–23:59). The display flashes the entered time. Press **[#]** and the display shows *START TIME hh:mm (new setting)*.
5. Press **[B]** and the display shows *STOP TIME hh:mm (current setting)*.
6. Enter the desired stop time (00:00–23:59). The display flashes the entered time. Press **[#]** and the display shows *STOP TIME hh:mm (new setting)*.
7. Press **[B]** and the display shows *MONDAY OFF/ON (current setting)*. To select a different day, continue pressing **[B]** until the desired day appears.
8. Press **[1]** (off) or **[2]** (on). The display flashes the entered selection. Press **[#]** and the display shows *the new setting for the selected day*.
9. Repeat steps 7 and 8 until all desired settings for each day are set.

Attach Schedules to Events Menu

The *ATTACH SCHEDULES TO EVENTS* menu lets you link the following system events to time schedules:

- Latchkey Opening**—sends a report if system is disarmed within the attached time schedule.
- Latchkey Closing**—sends a report if system is armed within the attached time schedule.
- Exception Opening**—sends a report if system is not disarmed within the attached time schedule.
- Exception Closing**—sends a report if system is not armed within the attached time schedule.
- Lights (1–9)** activate X-10 controlled lights by the attached time schedule.
- Outputs (1–6)** allow users to attach onboard (1–2) and SnapCard outputs to a schedule.
- Arming**—Allows the user to arm the panel at the schedule start time.

Latchkey Reports *Attach Schedules To Events*
(060nn—Opening, 061nn—Closing where nn = Schedule number [0 to 15])

(Defaults = off) This setting lets you attach the Latchkey Opening report feature and the Latchkey Closing report feature to time schedules.

To Attach a Schedule to Latchkey Opening or Latchkey Closing:

1. Press **[A]** or **[B]** until the display shows *ATTACH SCHEDULES TO EVENTS*.
2. Press **[#]** then **[A]** or **[B]** until the display shows *LATCHKEY OPENING* or *LATCHKEY CLOSING*.
3. Press **[#]** and the display shows *SCHEDULE 00 OFF/ON (current setting)*. If you want a different schedule, press **[A]** or **[B]** until the desired schedule appears.
4. Press **[1]** (*OFF*) or **[2]** (*ON*). The display flashes the entered selection. Press **[#]** and the display shows the new setting for the selected schedule.

Exception Reports *Attach Schedules To Events*
(062nn—Opening, 063nn—Closing, where nn = Schedule number [0 to 15])

(Defaults = off) This setting lets you attach the Exception Opening report feature and the Exception Closing report feature to time schedules.

To Attach a Schedule to Exception Opening or Exception Closing:

1. Press **[A]** or **[B]** until the display shows *ATTACH SCHEDULES TO EVENTS*.
2. Press **[#]** then **[A]** or **[B]** until the display shows *EXCEPTION OPENING* or *EXCEPTION CLOSING*.
3. Press **[#]** and the display shows *SCHEDULE 00 OFF/ON (current setting)*. If you want a different schedule, press **[A]** or **[B]** until the desired schedule appears.
4. Press **[1]** (off) or **[2]** (on). The display flashes the entered selection. Press **[#]** and the display shows the new setting for the selected schedule.

Lights *Attach Schedules To Events*
(064xnn where nn = Schedule number [0 to 15] and x = light number [1 to 9] minus 1)

(Defaults = off) This setting lets you attach light controls to a time schedule.

To Attach Schedules to Lights:

1. Press **[A]** or **[B]** until the display shows *ATTACH SCHEDULES TO EVENTS*.
2. Press **[#]** then **[A]** or **[B]** until the display shows *LIGHTS*. Press **[#]** to enter the *LIGHTS* menu.
3. Press **[A]** or **[B]** until the desired light appears.
4. Press **[#]** and the display shows *SCHEDULE 00 OFF/ON (current setting)*. If you want a different schedule, press **[A]** or **[B]** until the desired schedule appears.
5. Press **[1]** (off) or **[2]** (on). The display flashes the entered selection. Press **[#]** and the display shows the new setting for the selected schedule.
6. Repeat steps 3, 4, and 5 until all desired lights are attached to schedules.

Outputs *Attach Schedules To Events*
(065xnn where nn = Schedule number [0 to 15] and
x = output number [1 to 6] minus 1)

(Defaults = off) This setting lets you attach outputs to a time schedule. Onboard outputs are 1–2, SnapCard outputs are 3–6.

Note

Outputs can only be scheduled if text has been entered in installer programming. Only onboard and SnapCard outputs can be scheduled.

To Attach Schedules to Outputs:

1. Press **[A]** or **[B]** until the display shows *ATTACH SCHEDULES TO EVENTS*.
2. Press **[#]** then **[A]** or **[B]** until the display shows *OUTPUTS*. Press **[#]** to enter the *OUTPUTS* menu.
3. Press **[A]** or **[B]** until the desired output appears.
4. Press **[#]** and the display shows *SCHEDULE 00 OFF/ON (current setting)*. If you want a different schedule, press **[A]** or **[B]** until the desired schedule appears.
5. Press **[1]** (off) or **[2]** (on). The display flashes the entered selection. Press **[#]** and the display shows the new setting for the selected schedule.
6. Repeat steps 3, 4, and 5 until all desired outputs are attached to schedules.

Arming *Attach Schedules To Events*
(0660nn where nn = Schedule number [0 to 15])

(Defaults = off) This setting lets you arm according to a time schedule.

To Attach Schedules to Arming:

1. Press **[A]** or **[B]** until the display shows *ATTACH SCHEDULES TO EVENTS*.
2. Press **[#]** then **[A]** or **[B]** until the display shows *ARMING*.
3. To select arm to AWAY press **[#]**.
4. Press **[#]** and the display shows *SCHEDULE 00 OFF/ON (current setting)*. If you want a different schedule, press **[A]** or **[B]** until the desired schedule appears.
5. Press **[1]** (off) or **[2]** (on). The display flashes the entered selection. Press **[#]** and the display shows the new setting for the selected schedule.
6. Repeat steps 4 and 5 until all desired schedules are attached.

Energy Saver Menu

The *ENERGY SAVER* menu lets you set the energy saver module low- and high-setpoints. These setpoints determine when the module relay closes, thereby completing the circuit through the thermostat to the furnace/air-conditioner.

Low Setpoint *(Energy Saver)*
(070)

(Default = 50°F) This setting determines the temperature at which the energy saver module relay closes to activate the furnace.

Note

The low setpoint cannot be set equal to or higher than the high setpoint.

To set the Low Setpoint:

1. With the display showing *ENERGY SAVER*, press **[#]**, then **[A]** or **[B]** until the display shows *LOW SETPOINT nn DEGREES (current setting)*.
2. Enter the desired temperature (45–89°). The display flashes the entered setting. Press **[#]** and the display shows the new setting.

High Setpoint *(Energy Saver)*
(071)

(Default = 90°F) This setting determines the temperature at which the energy saver module relay closes to activate the air-conditioner.

Note

The high setpoint cannot be set equal to or lower than the low setpoint.

To set the High Setpoint:

1. With the display showing *ENERGY SAVER*, press **[#]**, then **[A]** or **[B]** until the display shows *HIGH SETPOINT nn DEGREES (current setting)*.
2. Enter the desired temperature (46–90°). The display flashes the entered setting. Press **[#]** and the display shows the new setting.

Attach Lights to Sensors Menu

The *ATTACH LIGHTS TO SENSORS* menu lets you assign a light number to a sensor. Each time the sensor is activated,

minute timer expires the light will turn off. If the same light is scheduled, it will only turn on during the schedule time.

| Light x to Sensor Y (Attach Lights to Sensors) (08n where n = light number [1–9] minus 1) |
|--|
| (Default = 0) This menu attaches light x to sensor y. Each time a selected sensor is tripped, the selected light will turn on and a 5 minute timer will start. |
| Note The sensor must be learned into the current partition before it can be attached. |
| To attach a light to a sensor: |
| <ol style="list-style-type: none"> With the display showing <i>LIGHT 1 TO SENSOR y</i> (current setting), press [A] or [B] to select the desired light number. Enter the desired sensor number (01–76). The display flashes the entered setting. Press [#] and the display shows the new setting. Repeat steps 1 through 2 until all desired lights are attached to sensors. |
| To detach a light from a sensor: |
| <ol style="list-style-type: none"> With the display showing <i>LIGHT 1 TO SENSOR y</i> (current setting), press [A] or [B] to select the desired light number. Enter 0 as the sensor number and press [#]. |

System Version Menu

The *SYSTEM VERSION* menu lets you view and identify panel hardware and software. This information is primarily used for troubleshooting purposes.

| System Version (010 = factory code, 011= system number, 012= system level) |
|--|
| (Default = N/A) This menu lets you view and identify panel hardware and software version. |
| To view and identify the System Version: |
| <ol style="list-style-type: none"> Press [A] or [B] until the display shows <i>SYSTEM VERSION</i>. Press [#] and the display shows <i>FACTORY CODE nnn★nnnn</i>. Press [B] and the display shows <i>SYSTEM NUMBER ★nnnnnnn</i>. Press [B] again and the display shows <i>SYSTEM LEVEL nnnn</i>. |

Downloader Programming

The panel can be programmed remotely using ToolBox. Use the information you recorded in Appendix A to inform the downloading operator of the programming requirements for this system.

ToolBox Downloader Programming

Note

A Downloader Phone Number must be programmed and the user-programmable option “Downloading” must be on for remote downloader programming to work.

To initiate a ToolBox download session:

- Contact your download station and ask the operator to prepare to download to the panel.
- Make sure the system is disarmed.

- Press **[8]** + system master code + **[7]** + **[0]** (any), **[1]** (down), or **[2]** (up). The display shows *SYSTEM DOWNLOAD IN PROGRESS* during the downloading process.

If the alphanumeric touchpad does not display *SYSTEM DOWNLOAD IN PROGRESS*, call the downloader operator to verify the downloader phone number. Also, make sure Tool-Box is set up properly. Refer to the “Troubleshooting” section if the problem persists.

Testing the System

Note

Before testing, it is recommended that you have covers on all modules (mounted outside the cabinet) and the panel cabinet door closed. The testing environment should match the system working environment.

This section describes the following:

- Basic System Commands
- Testing Zones/Sensors
- Testing Phone Communication
- Testing Central Station Communication
- Testing Outputs and Sirens
- Testing Light Control
- Testing the Energy Saver Module
- Changing Fixed Display Touchpads
- Testing the Audio Verification Module
- Testing Cellular Backup Communication

You should test the system after installing or servicing and after adding or removing devices from the system.

Refer to the “Troubleshooting” section if correct test results are not achieved.

Basic System Commands

Table 9 describes basic touchpad operating commands. For complete details on system operation, including user programming, refer to the system *User’s Manual*.

Table 9: Basic Touchpad Commands

| Command | System Response |
|---------------------------------------|---|
| ★ (STATUS) | Indicates current system status |
| ★ + ★ | Indicates AC power and battery status |
| 1 + CODE | Disarms system to OFF |
| 2 + CODE | Arms system to STAY |
| 3 + CODE | Arms system to AWAY |
| 2 (quick arm on) | Arms system to STAY |
| 3 (quick arm on) | Arms system to AWAY |
| 2 or 3 + CODE + 4 or 2 or 3 + 4 | Arm system—No Delay (no exit or entry delay) |
| 5 + 2 or 3 + CODE or 5 + 2 or 3 | Arms system silently (no arming status beeps) |
| 7 + 1 | Turns chime feature on and off |
| 7 + 2 | Turns Energy Saver on and off |

Table 9: Basic Touchpad Commands (Continued)

| Command | System Response |
|---|---|
| 7 + 6 | Identifies alarms in memory |
| 7 + 7 + n (n = output number [1–6]) 1–2 = onboard outputs 3–6 = module outputs | Turns the output on or off. (This command is only functional after output text is entered into panel memory.) |
| 8 + CODE + 6 | Partition jump |
| 8 + CODE + 2 | Initiates a phone test |
| 8 + CODE + 3 | Initiates a sensor test |
| 8 + installer CODE + 3 | Initiates a dealer sensor test |

Testing Zones/Sensors

Test sensors/zones after all programming is completed, whenever there is a change in environment, equipment, or programming, and whenever a zone- or sensor-related problem occurs.

If the system does not respond as described in the following procedure, see the “Troubleshooting” section.

Note

While the sensor test is a valuable installation and service tool, it only tests sensor operation for the current conditions. You should perform a sensor test after any change in environment, equipment, or programming.

1. Place all sensors and zones in their non-alarm state.
2. At an alphanumeric touchpad, enter the sensor test mode by pressing $\boxed{8}$ + installer code + $\boxed{3}$. The touchpad sounds one beep and displays *SENSOR TEST*. The panel starts a 15 minute timer.
3. Trip each zone/sensor one at a time. Touchpads (and interior sirens) should sound one short, high-pitched beep and the display should show the sensor name (or number) and *OK*.

Note

If you hear a long, low-pitched beep, proceed to the following section “If a Wireless Sensor Does Not Test.”

4. Press the *STATUS* button when you think all zones/sensors are tested. The touchpad displays any untested sensors/zones and touchpad panics. If all sensors/zones and touchpad panics have been tested, the display shows *SENSOR TEST OK*.
5. Test any untested zones/sensors and touchpad panics.
6. The system stays in sensor test mode for 15 minutes. When less than 5 minutes remain, touchpads and interior sirens beep and the panel announces the remaining time over the speakers once every minute. After 15 minutes the panel disarms to *OFF*, automatically. If you need more time to complete the sensor test, press $\boxed{8}$ + installer code + $\boxed{3}$ while the system is still in sensor test mode. This restarts the 15 minutes of test time.
7. When all sensors/zones and touchpad panics have been tested, press $\boxed{1}$ + installer code to exit sensor test mode.

If a Wireless Sensor Does Not Test

If touchpads display *SENSOR FAILURE* and sirens sound a long, low-pitched beep when a zone or sensor is tripped,

this indicates that the wireless sensor signal strength is below acceptable limits. Distance from the receiver, the installation environment, or both, are most likely affecting the sensor signal strength.

When possible, locate wireless sensors within 100 feet of the panel. While a transmitter may have a range of 1,000 feet or more out in the open, the environment at the installation site can have a significant effect on transmitter range. Refer to the “Troubleshooting” section to resolve the problem.

For wireless sensors that don’t respond, use an ITI RF Sniffer (60-401) test tool to verify that the sensor is transmitting. Constant beeps from the RF Sniffer indicate a runaway (faulty) sensor. Remove the sensor battery(s) and replace the sensor.

Testing Phone Communication

Perform a phone test to check the phone communication between the panel and the central monitoring station.

To perform a phone test:

1. Contact the central monitoring station to inform them that you are testing the system.
2. Press $\boxed{8}$ + system master code + $\boxed{2}$. The display reads *PHONE TEST* and the touchpad sounds one beep. When the panel completes the test, the system returns to the previous arming level automatically.

If the display continues to show *PHONE TEST* for 1½ minutes or more, enter $\boxed{1}$ + system master code and refer to the “Troubleshooting” section.

Testing Central Station/Pager Communication

After performing sensor and phone tests, check that the system is reporting alarms successfully to the central station or pager.



CAUTION

Be sure to contact the central monitoring station *before* activating outputs that trigger from an alarm condition.

To test communication with the central station/pager:

1. Call the central station and tell the operator that you will be testing the system.
2. Arm the system.
3. Test each of the touchpad and wireless panic buttons and trip at least one sensor of each type (fire, intrusion, etc.) to verify correct operation.
4. Check pager displays to verify reports are received.

Pagers display an event code, digit sensor number, and the last four digits of the account number. For example, a pager display of

999 002 7468 indicates the following:

999 = alarm condition

002 = sensor/zone in alarm or user number

7468 = last four digits of account number

Note

The way information is displayed varies with pager services and may not match the example above. Account numbers with alpha-characters also vary when displayed, depending on pager service. Account numbers are not displayed if STREAMLINING is turned on.

Table 10 describes pager system event codes.

Table 10: Pager System Event Codes

| Code | System Event |
|------|---------------------------|
| 009 | Zone Restoral |
| 111 | System Disarmed |
| 115 | Sensor Test Exit |
| 118 | Trouble condition cleared |
| 119 | Alarm Canceled |
| 222 | System Armed to STAY |
| 333 | System Armed to AWAY |
| 555 | Phone/Sensor Test |
| 888 | System Trouble Condition |
| 999 | System in Alarm |

Table 11 describes pager sensor/zone number and user number report codes.

Table 11: Pager Sensor/Zone Code and Numbers

| Code | Sensor/Zone or User Number |
|---------|--|
| 000 | System event not caused by a zone or user |
| 001–076 | Sensor/Zone Numbers 1–76 |
| 600–659 | Regular User Codes 0–59 used |
| 678 | System Master Code used |
| 679 | Installer Code used |
| 680 | Dealer Code used |
| 697 | Quick Arm used |
| 698 | Keyswitch Sensor used |
| 699 | System Armed Itself (during service or power-up) |

- When you finish testing the system, call the central monitoring station to verify that the alarms were received.

Testing Outputs and Sirens

All outputs (onboard and SnapCard) should be tested to verify configuration programming.


CAUTION

Be sure to contact the central monitoring station *before* activating outputs that trigger from an alarm condition.

To test outputs:

- Contact the central monitoring station to inform them you are testing the system.
- Verify that all wiring at the panel and output devices is correct.
- Activate the appropriate device to trigger each output as programmed.

- Verify that each output responds according to the programmed configuration number. For outputs that trigger sirens, verify that the correct alarm sounds are produced from these sirens. Table 12 describes the system alarm sounds you should hear for each alarm event.
- Contact the central monitoring station when you are finished testing.

Table 12: System Alarm Sounds

| Alarm Type | Alarm Sound |
|------------------|---------------------------------|
| Fire | Repeating series of three beeps |
| Police/Intrusion | Continuous tone |
| Auxiliary | Rapid beeps |

Testing Light Control

Test all lights plugged into X-10 Lamp Modules to verify house code and light number settings.

To test light control:

- Press [0] + [0] repeatedly to turn all lights on and off together.
- Press [0] + [1] repeatedly to turn light 1 on and off.
- Repeat step 2 for remaining lights ([0] + [2] for light 2, [0] + [3] for light 3, etc.).
- Arm the system to Away. All lights plugged into modules set to Unit 1 (or set as entry lights) should turn on and stay on for 5 minutes. All lights plugged into modules set to Unit 2 should blink three times to indicate the arming level. Remaining lights should not be affected.
- Disarm the system. If Unit 1 (or entry) lights were on for an entry or alarm, they will turn off in 5 minutes. Unit 2 lights should blink once to indicate the system is off. Remaining lights should not be affected.
- All lights should turn on and remain on during fire and auxiliary/medical alarms. All lights should flash during a police or intrusion alarm.

Testing the Energy Saver Module (ESM)

Test the Energy Saver Module to verify it overrides the thermostat.

Note

The system must have high- and low-temperature limits set to test the Energy Saver Module.

To test the Energy Saver Module:

- Press [⊞] (status) + [⊞] (status) to display the system status, *ENERGY SAVER OFF*, and the present *TEMPERATURE* *nn°*. The temperature displayed (and/or announced) should match the house thermostat. If the temperatures do not match, refer to the *ACCESSORY MODULES—BUS DEVICES* menu in the “Programming” section.
- Press [7] + [2] to turn on the ESM. The display shows *ENERGY SAVER ON* and the ESM relay will click once.
- Press [7] + [2] again to turn the ESM off. The display shows *ENERGY SAVER OFF*.

Note

There is a 5-minute delay after the Energy Saver Module returns control to the furnace/AC before it will override the furnace/AC again.

Changing Fixed Display LCD Touchpad Chime and Trouble Beep Tones

The frequency (pitch) of chime and trouble beep tones from a fixed display touchpad can be adjusted to a more desirable or distinct tone, or to compensate for hearing impaired persons.

Note

Chime and trouble beep tones sound using the default frequency during, or within 15 seconds of, any button activity at that specific touchpad.

To change status tone pitch:

1. Press and hold the **ⓧ** and **⓪** buttons together until you hear a steady tone, then release the buttons.
2. Press and hold **⓪** to lower the pitch or press and hold **ⓧ** to raise the pitch.
3. Release the button when the desired pitch is heard.

After about 15 seconds of no touchpad activity, the steady tone stops sounding.

Adjusting Touchpad Display Contrast

Touchpad displays can be adjusted for easier viewing to help compensate for lighting conditions in the touchpad location. The contrast adjustment lightens or darkens the text.

To adjust display contrast:

1. Enter configuration mode by pressing the **⓪** and **ⓧ** buttons together for at least two seconds. The display shows *DA nnn*.
2. Press and release the **⓪** and **ⓧ** buttons together repeatedly, until the desired contrast level is displayed.
3. Press **ⓧ** and the display briefly shows *DONE*, then shows the time and date.

Note

Vacuum fluorescent displays do not have a contrast adjustment.

Testing Audio Verification Module (AVM) Communication

Test the Audio Verification Module from off-site and the central station to verify that it works properly.

To test the module from off-site:

You will need a helper and touch-tone phone at an off-site location to perform this test. When testing the AVM from off-site the following guidelines must be followed.

- The Remote Access feature must be set to on (default) (page 27).
- The Audio Verify feature must be set to on (page 38).
- The system must be in a non-alarm state.
- Optional Ring/Hang/Ring feature (page 27) must be on (default) to work with steps 1 and 2 below. Otherwise wait for 12 rings and the panel will pick up automatically.

1. The off-site helper calls the panel, lets the phone ring twice, and hangs up.
2. The helper must call the panel again in 10 to 40 seconds. The panel answers *System hello*.
3. The helper dials the following on the phone: # 1234 # 8 (AVM access CODE) 5
4. The helper should now be able to hear you through the AVM.
5. Walk through the vicinity of the AVM while speaking at a normal conversation level.
6. Tell the helper to dial a 1 and speak to you. To return to listen mode, the helper dials a 3.
7. When testing is complete, have the helper dial 99 and hang up.

To test the module with the central station:

1. Inform the central station that you will be sending an alarm and testing an AVM.
2. Give them the programming selections you made for the panel (see “Audio Verification Menu” on page 38 for programming information).
3. Use a touchpad panic button to initiate an auxiliary alarm.
4. The central station operator waits for the alarm to be reported and initiates an audio session.
5. Walk through the vicinity of the AVM while speaking at a normal conversation level.
6. Have the operator speak to you.
7. When testing is complete, the operator will end the session.

Testing Cellular Backup Communication

Perform this test to check the cellular communication between the panel and the central monitoring station.

To test Cellular Communication:

1. Contact the central monitoring station to inform them that you are testing the system.
2. Install and activate the SuperBus 2000 Cellular Backup Module.
3. Verify or change the following CS PHONE 1 panel option settings.

Note

If the current settings do not match the test settings, record the current settings (Table 13), so that they can be restored when this test is complete.

4. Disconnect the phone line by unplugging the Db-8 cord from the RL-31X Jack.
5. Initiate a phone test (8+system master code+2).
6. The phone test attempt should fail via the phone line within 5 minutes. The panel will emit a long low tone (and speak “phone failure 1” if so equipped).
7. Wait for the phone test to succeed via the cell backup. The panel should emit a short high tone (and speak “phone test ok” if so equipped).

8. Verify the CS report.

If success does not occur, verify that the signal strength (RSSI) shown on the Cellular Backup Module is acceptable and repeat steps 5-8.

9. Restore previous CS PHONE 1 settings if needed.

Table 13: Current Phone Settings

| CS PHONE 1 Option | Test Setting | Previous Setting |
|---|------------------------------|------------------|
| PHONE NUMBER | Central station phone number | |
| HIGH LEVEL RPTS | ON | |
| BACKUP | OFF* | |
| CELLULAR BACKUP | ON | |
| * Can be set to ON if no CS PHONE 2 PHONE NUMBER is programmed. | | |

Troubleshooting

This section describes what to do if you experience problems with system operation. If after performing the troubleshooting procedures the panel still malfunctions, please call Technical Support at 1-800-777-2624.

| Feature | Problem | Action/Solution |
|---------------------|--|---|
| Panel Power | | |
| | Panel does not power up. Touchpads don't display or respond. | <ol style="list-style-type: none"> 1. Verify that the panel transformer is plugged into an unswitched outlet. 2. Check the AC circuit breaker to be sure the circuit is live. 3. Check that the backup battery is installed correctly and the AC power transformer is plugged in. 4. Check for proper panel and transformer wiring. 5. Measure the incoming AC voltage at panel terminals 1 and 2. It should read about 24 VAC. |
| | No incoming AC voltage at panel terminals 1 and 2. | <ol style="list-style-type: none"> 1. Unplug the AC power transformer and disconnect the wires from the transformer and the panel. 2. Check transformer to panel wire for short or open circuits. 3. Plug in the transformer and check for 24 VAC at the transformer unconnected terminals. If zero (0) volts, replace the transformer. |
| | Touchpad display indicates <i>System Low Battery</i> or voice sounds " <i>System low battery.</i> " | <ol style="list-style-type: none"> 1. Check that the backup battery is installed correctly and the AC power transformer is plugged in. 2. Measure the incoming AC voltage at panel terminals 1 and 2. It should read about 24 VAC. 3. Check for 11.75 to 13.5 VDC battery voltage between the backup battery spade lugs. If the battery voltage is not within this range, replace the battery. <p>Note When the panel is running a backup battery test, the reading at the connected battery can range from 11.2 to 13.5 VDC. The panel automatically runs a backup battery test under the following conditions: (1) on initial power-up, (2) during user sensor test, (3) once every minute when backup battery has failed, (4) once every 24 hours at the programmed STIME (UL 98 Options off) or once every 4 hours (UL 98 Options on).</p> <p>Note With the AC power transformer plugged in, the panel automatically charges the battery. While the battery is charging for the first time it is normal for the system to indicate <i>System Low Battery</i>. This can take a number of hours depending on the initial battery charge. Once the battery reaches 12.5 VDC (full charge as measured while in battery test), the condition clears. If the trouble condition persists after 24 hours, replace the backup battery.</p> |
| | After pressing STATUS the touchpads flash <i>AC</i> or display <i>AC Power Failure/AC Failure</i> . (Panel continues to operate from backup battery). | <ol style="list-style-type: none"> 1. Check the AC circuit breaker to be sure the circuit is live. 2. Check for proper panel and transformer wiring. 3. Check that the transformer is plugged into a nonswitched outlet and secured with the provided screw. 4. Check that the transformer is supplying AC to the panel. (Transformer internal fuse may be blown. <p>WARNING ! Be careful when securing the transformer to an outlet with a metal cover. Hold the cover tightly in place. You could receive a serious shock if the metal outlet cover drops down onto the prongs of the plug while you are securing the transformer and cover to the outlet box.</p> |
| Access Codes | | |
| | Customer cannot remember access code(s). | <ol style="list-style-type: none"> 1. Check your records to see if you have the customer's access code(s) on file. 2. Verify the access code(s) using the Downloader. 3. Clear memory and reprogram the panel locally. 4. Clearing the memory will erase onboard hardwire zone factory programming. |

| Feature | Problem | Action/Solution |
|---|---|---|
| Access Codes (continued) | | |
| | Installer cannot remember install code. | <ol style="list-style-type: none"> 1. Check your records to see if you have the install code on file. 2. Verify the install code using the Downloader. 3. Use the Dealer Code to enter program mode and view the installer code. |
| | Installer cannot remember dealer code. | Check your records to see if you have the dealer code on file. |
| Arming and Disarming | | |
| | System protests and won't arm. | <ol style="list-style-type: none"> 1. If arming to level 2, make sure all monitored perimeter doors and windows are closed. 2. If arming to level 3, make sure all perimeter and interior sensors are closed. 3. Press STATUS for an indication of the problem. |
| | System won't disarm. | <ol style="list-style-type: none"> 1. Disarming using incorrect code. Enter correct code. 2. Access code is not programmed or set up in user programming to disarm system. 3. Wireless touchpad is not learned into system or hardwire touchpad is not communicating to panel. Check installer programming for learned wireless touchpads. 4. The installer code is being used to disarm the system. The system is designed <i>not to disarm</i> using the installer code. Use a regular or system master code to disarm the system. |
| Bypassing | | |
| | Touchpad indicates <i>Invalid</i> and/or " <i>Invalid</i> " is heard when you attempt to bypass a sensor. | <ol style="list-style-type: none"> 1. Attempting to bypass a 24-hour sensor that cannot be bypassed (group 26 fire sensors). 2. Sensor is not active in the current arming level. |
| | System cancels sensor bypass when you try to arm to level 2 or 3. | Sensor is being bypassed before arming to 2— <i>STAY</i> or 3— <i>AWAY</i> . Arm to the desired level before bypassing a sensor. |
| Wireless Sensor and Touchpad Batteries | | |
| | System indicates <i>Sensor/Touchpad nn low battery</i> . | <p>Replace the indicated device battery. Test the sensor/touchpad after replacing the battery.</p> <p>Note If the sensor/touchpad is not tested after battery replacement, the system continues to show a low battery condition, since that was the last signal it received from the device. Testing the sensor/touchpad with new batteries allows the panel to receive a signal with good battery information.</p> |
| Central Station/Pager Reporting | | |
| | Central station/pager is not receiving reports. | <ol style="list-style-type: none"> 1. Check that the premises phone line is working. 2. Perform a phone test. 3. Check that the DB-8 cord is plugged into the RJ-31X/CA-38A jack. 4. Check that the DB-8 cord is wired correctly to the panel. 5. Check for correct phone line wiring between the TELCO block and RJ-31X/CA-38A jack. 6. Replace faulty RJ-31X/CA-38A jack. 7. Replace faulty DB-8 cord. 8. Verify that central station/pager phone number is programmed into the panel. Reprogram the phone number and retest, if necessary. 9. Verify that the correct phone format (SIA or CID) is being used. 10. For pagers, extend the pager delay setting (see the <i>PHONE OPTIONS—GLOBAL</i> menu in the "Programming" section). |
| Alphanumeric Touchpads | | |
| | Display shows all *****. | Touchpad is not connected to panel bus terminals or is wired incorrectly. Check and correct wiring. |

| Feature | Problem | Action/Solution |
|---|---|---|
| Alphanumeric Touchpads (continued) | | |
| | Display is blank. | <ol style="list-style-type: none"> 1. Check that panel is powered up. 2. Check for touchpad power and/or bus miswiring, opens, or shorts. 3. Check touchpad brightness setting (see the user-programming <i>OPTIONS</i> menu in the “Programming” section). |
| | Touchpad buttons don’t beep when pressed. | <ol style="list-style-type: none"> 1. Check for touchpad power and/or bus miswiring, opens, or shorts. 2. Check that key beeps option is set to on (see the <i>ACCESSORY MODULES—BUS DEVICES</i> menu in the “Programming” section). |
| Fixed Display Touchpads | | |
| | Display is lit but does not respond to key presses. | Touchpad is not connected to panel bus terminals or is wired incorrectly. Check and correct wiring. |
| | Display is blank. | <ol style="list-style-type: none"> 1. Check that panel is powered up. 2. Check for touchpad power and/or bus miswiring, opens, or shorts. 3. Check touchpad brightness setting (see the user-programming <i>OPTIONS</i> menu in the “Programming” section). |
| | Touchpad buttons don’t beep when pressed. | <ol style="list-style-type: none"> 1. Check for touchpad power and/or bus miswiring, opens, or shorts. 2. Check that key beeps option is set to on (see the <i>ACCESSORY MODULES—BUS DEVICES</i> menu in the “Programming” section). |
| Speakers | | |
| | Speakers don’t sound alarms. | <ol style="list-style-type: none"> 1. Check for correct wiring at speaker and panel terminals; correct where necessary. 2. Speaker output has shut down because panel detected terminal 7 or 8 is shorted to ground. Disconnect panel AC and battery backup power. Locate short and correct. Apply panel AC and backup battery power and retest. 3. Alarm is in partition 2 and speaker is connected to panel terminals 7 and 8, which activate only for partition 1 alarms. |
| Sirens | | |
| | Piezo sirens connected to SnapCard, or onboard (panel) outputs 1 and/or 2 don’t produce any alarm sounds. | <ol style="list-style-type: none"> 1. Check for incorrect wiring between siren and panel; correct where necessary. 2. Output has not been configured (set up) to activate sirens. Enter program mode and configure output (see <i>ACCESSORY MODULES—BUS DEVICES—SNAP CARD</i>, or <i>ONBOARD OPTIONS—OUTPUT 1, 2</i> in the “Programming” section). |
| Supervised Wireless Sirens | | |
| | Sirens don’t produce any sounds and LED doesn’t respond. | <ol style="list-style-type: none"> 1. Check to make sure siren is not plugged into an outlet controlled by a switch. Move siren to a nonswitched outlet location and test. 2. Panel doesn’t have a Power Line Carrier (PLC) card installed. Install PLC card. 3. Panel is not powered by a power line carrier transformer. Replace existing transformer with a power line carrier transformer. 4. Power transformer and sirens are not plugged into outlets on the same electrical phase. Relocate sirens at different outlets to determine working locations. 5. Siren is programmed with incorrect partition house code. Clear siren house code by pressing and holding siren button for 20 seconds. Reprogram with correct partition house code and retest. See “Installing Supervised Wireless Sirens” (60-736-95) on page 10 for more information. 6. Siren house code is not programmed into panel. Enter program mode and set SWS and partition house codes. |

| Feature | Problem | Action/Solution |
|---|--|--|
| Supervised Wireless Sirens (continued) | | |
| | Siren only works part of the time and/or at odd, irregular intervals. | Check that siren and/or panel transformer is not plugged into an outlet shared with a major appliance, television, or computer which may generate noise and degrade the line carrier signal. |
| Hardwire Zones | | |
| | System doesn't go into alarm when zone is tripped. | <ol style="list-style-type: none"> 1. System is disarmed. Arm system and then trip the zone. 2. Zone is not learned into panel memory. Enter installer/dealer program mode—LEARN SENSORS, and learn zone into memory. 3. Zone is learned into wrong partition. Delete zone and learn into correct partition or change the partition in the EDIT SENSORS menu. 4. For HIM zones, check that the HIM LED is blinking to verify communication with the panel. If LED is off, check wiring between HIM and panel. |
| | Zone reports trouble condition. | <ol style="list-style-type: none"> 1. Check that onboard HIM and SnapCard zone inputs have a 2k-ohm EOL resistor installed at the last device on the loop in series for N/C loops, in parallel for N/O loops. 2. Check for zone wire fault—short circuit on N/C loops, open circuit on N/O loops. 3. Make sure all devices on zone are in non-alarm state, then enter disarm command to reset zone. |
| Wireless Sensor Zones | | |
| | System doesn't respond (in sensor test or when armed) when sensor is tripped. | <ol style="list-style-type: none"> 1. Verify that receiver antennas are installed and connections are secure. 2. Check that the wireless sensor battery(s) are installed. 3. Check the sensor battery(s) for low voltage. Replace battery(s) if necessary. 4. Use an RF Sniffer (60-401) to verify that sensor is transmitting. 5. Sensor is not learned into panel memory. Enter installer/dealer program mode—LEARN SENSORS, and learn sensor into memory. 6. Zone is learned into wrong partition. Delete zone and learn into correct partition or change the partition in the EDIT SENSORS menu. |
| | Sensor reports trouble condition. | <ol style="list-style-type: none"> 1. Sensor tamper switch is tripped—sensor cover is off, not latched securely, or sensor is not mounted securely. Secure sensor mounting and/or cover, then trip sensor to clear the condition. 2. Check the sensor battery for low voltage. Replace batteries, if necessary. |
| | Touchpad indicates <i>[sensor #] supervisory</i> and/or <i>Sensor [sensor #] supervisory</i> is heard. | <ol style="list-style-type: none"> 1. Use an RF Sniffer (60-401) to verify that sensor is transmitting. If sensor is not transmitting, check battery for low or no voltage and replace. 2. Change mounting position of sensor (from horizontal to vertical or vice versa) and test sensor several times for consistency. 3. Sensor signal is not reaching panel/receiver because sensor is too far away. Remove sensor from mounted location and test from other locations. Mount sensor in area where signal can reach panel/receiver. |
| | Smoke sensor beeps once every 44 seconds. | Sensor batteries are getting low. Replace batteries. |

| Feature | Problem | Action/Solution |
|----------------------------|---|---|
| Wireless Touchpads | | |
| | System doesn't respond to commands entered from wireless touchpad. | <ol style="list-style-type: none"> 1. Verify that receiver antennas are installed and connections are secure. 2. Check that touchpad battery(s) are properly installed. 3. Check the touchpad battery(s) for low voltage. Replace battery(s), if necessary. 4. Use an RF Sniffer (60-401) to verify that touchpad is transmitting. 5. Touchpad is not learned into panel memory. Enter program mode and learn touchpad into memory (see <i>LEARN SENSORS</i>). 6. Touchpad is learned into wrong partition. Delete touchpad and learn into correct partition or change the partition in the EDIT SENSORS menu. |
| | Touchpad reports trouble condition. | Check the touchpad battery(s) for low voltage. Replace battery(s), if necessary. |
| Phones | | |
| | Loss of dial tone at on-site phones after wiring RJ-31X jack or connecting the DB-8 cord. | <ol style="list-style-type: none"> 1. Wait 2 minutes and try again. The panel may be busy trying to report to the central station. 2. Disconnect the panel DB-8 cord from the RJ-31X jack. If the phone still doesn't work, the system is okay and the problem is in the wiring. 3. Check RJ-31X jack wiring and TELCO block wiring. Replace RJ-31X jack if necessary. 4. Check DB-8 cord connections at the panel and RJ-31X jack. Replace cord if necessary. 5. Perform a phone test after troubleshooting the phone line. |
| | Constant dial tone, preventing dial-out on premises phones. | One or more polarity-sensitive phones exist on-site. Reverse the phone wires connected to the brown and gray wire terminals on the RJ-31X jack. |
| Light Control | | |
| | Light controlled by X-10 Lamp Module is not working. | <ol style="list-style-type: none"> 1. Check that the lamp has a working bulb and that the lamp switch is on. 2. Check to make sure X-10 module is not plugged into an outlet controlled by a switch. Move to a nonswitched outlet location and test. 3. Panel doesn't have a Power Line Carrier (PLC) card installed. Install PLC card. 4. Panel is not powered by a power line carrier transformer. Replace existing transformer with a power line carrier transformer. 5. Power transformer and X-10 modules are not plugged into outlets on the same electrical phase. Relocate modules or transformer to different outlets to determine working locations. 6. Check that the HOUSE dial on the X-10 module matches the partition house code programmed into the panel. 7. X-10 module is located in wrong partition. Move module to correct partition and retest. 8. Partition house codes are not programmed into panel. Enter program mode and set partition house codes. |
| Energy Saver Module | | |
| | Module does not respond to system commands or appear to control furnace. | <ol style="list-style-type: none"> 1. Check that the module is wired correctly to the panel terminals. 2. Verify the module LED is flashing continuously. If the LED is not flashing, remove power and check wiring. 3. There is a 5-minute delay after the module returns control to the furnace/AC thermostat, before the module overrides the thermostat again. Wait 5-minutes and try again. |
| | Module temperature does not match actual room temperature. | The module room temperature setting has not been adjusted or was adjusted before the module warmed or cooled to room temperature. To ensure accuracy, wait at least 15 minutes after installing the module before adjusting the temperature. To adjust the module room temperature setting, see <i>TEMPERATURE</i> under the <i>ACCESSORY MODULES—BUS DEVICES—UNIT-ID—ENERGY OPTIONS</i> menu in the section "Programming the Panel." |

| Feature | Problem | Action/Solution |
|-------------------------------|--|---|
| Automation Module | | |
| | Module is not controlling or communicating with the panel and panel indicates a “bus failure unit nn” where nn is the Automation Module bus unit number. | <ol style="list-style-type: none"> 1. Check that the module is wired correctly to the panel terminals. 2. Verify the module red LED is flashing continuously. If the LED is not flashing, remove power and check wiring. 3. There is a 5-minute delay after the module returns control to the furnace/AC thermostat, before the module overrides the thermostat again. Wait 5-minutes and try again. |
| | Module is not controlling or communicating with the panel and panel indicates a “bus failure unit AMnn” where nn is the Automation Module bus unit number. | <ol style="list-style-type: none"> 1. Check that the RS-232 cable is firmly connected to the Automation Module and the Automation Device. 2. Verify the Automation Device is powered and turned on. |
| | Module is not controlling or communicating with the panel and panel does not indicate a bus failure. | Verify the Automation Device is learned on the bus. |
| Cellular Backup Module | | |
| | Cellular backup report does not occur. | <ol style="list-style-type: none"> 1. Verify the Cellular Backup option is on for the CS phone number being tested. 2. Verify that the module is learned on the bus. 3. Check that the Cellular Backup Module has been activated as outlined in the device Installation Instructions. |
| | The panel indicates “auxiliary phone trouble 1.” | <ol style="list-style-type: none"> 1. Check the antenna connection. 2. Adjust the antenna positioning for maximum signal. 3. Verify Cellular System setting. 4. Check that the Cellular Backup Module has been activated as outlined in the device Installation Instructions. |
| | The panel indicates “auxiliary phone trouble 2.” | <ol style="list-style-type: none"> 1. Check the antenna connection. 2. Adjust the antenna positioning for maximum signal. 3. Verify Cellular System setting. |
| | The panel indicates “auxiliary phone trouble 3.” | <ol style="list-style-type: none"> 1. Check the antenna connection. 2. Adjust the antenna positioning for maximum signal. |
| | The panel indicates “auxiliary phone trouble 4.” | Contact the cellular provider for details. |
| | The panel indicates “auxiliary phone trouble 5.” | Contact the cellular provider for details. |
| | The panel indicates “auxiliary phone trouble 6.” | Replace the module. |

Appendix A: System Planning Worksheets

Customer Name _____

Address _____

City _____ County _____ State _____

Zip _____ Phone (____) _____

Table A1: Wireless Devices

| Part No. | Description | Qty. |
|---------------|--|------|
| 60-362 | Door/Window Sensor | |
| 60-670 | SAW Door/Window Sensor | |
| 60-741-95 | Micro Recessed Door/Window Sensor | |
| 60-499 | Slim Line Door/Window Sensor | |
| 60-688 | Micro Door/Window Sensor | |
| 60-641 | Long-Life Door/Window Sensor | |
| 60-461* | Shock Sensor | |
| 60-459* | Sound Sensor (ITI) | |
| 60-462* | Glass Guard Sensor | |
| 60-506 | System Sensor Smoke Sensor | |
| 60-838-95R | 2100ARFT Smoke Sensor | |
| 60-460 | Rate-of-Rise Heat Sensor | |
| 60-589* | Manual Fire Pull Sensor | |
| 60-504* | Freeze Sensor | |
| 60-452 | Pendant Panic Sensor | |
| 60-458 | Single Button Panic Sensor | |
| 60-457 | Dual Button Panic Sensor | |
| 60-578 | Water-Resistant Panic Sensor | |
| 60-511-01-95 | DS924i PIR Motion Sensor | |
| 60-639-95R | SAW Indoor PIR Motion Sensor | |
| 60-639-95R-OD | SAW Outdoor PIR Motion Sensor (Not for intrusion protection) | |
| 60-703-95 | Crystal Indoor PIR Motion Sensor | |
| 60-834-95 | FlexGard Sound Sensor | |
| 60-597 | HiTech Handheld Wireless Touchpad | |
| 60-607 | 2-Button Keychain Touchpad | |
| 60-606 | 4-Button Keychain Touchpad | |
| 60-659-95 | SAW 4-Button Keychain Touchpad | |

Table A2: Hardwire Devices

| Part No. | Description | Qty. | mA (Max.) | Sub Total |
|---|---|------|-----------|-----------|
| Hardwire Sensors/Detectors | | | | |
| 13-068 | Magnetic Contact 3/8" press fit | | N/A | |
| 13-070 | Magnetic Contact – surface mount | | N/A | |
| N/A | System Sensor models 2100D, 2100TD, 2100S, 2100TS, 2400, or 2400TH or ESL series 429AT, 521B or 521BXT | | 10 mA | |
| 13-082 | PIR Motion Detector | | 10 mA | |
| Sirens | | | | |
| 60-736* | Supervised Wireless Siren | | N/A | |
| 60-483-01 | Slim Line Hardwire Interior Siren | | 120 mA | |
| 13-046 | Hardwire Exterior Siren | | 145 mA | |
| SuperBus 2000/Miscellaneous Components | | | | |
| 60-746-01 | 2x16 LCD Alphanumeric Touchpad | | 90 mA | |
| 60-820 | Fixed Display LCD Touchpad | | 30 mA | |
| 60-803 | 2x20 LCD Alphanumeric Touchpad | | 120 mA | |
| 60-804 | 2x20 VFD Alphanumeric Touchpad | | 120 mA | |
| 60-777-01 | Phone Interface/Voice Module | | 600 mA | |
| 60-764-01-95R | RF Receiver | | 30 mA | |
| 60-755 | Power Line Carrier Card | | 110 mA | |
| 60-756 | 4 Input/2 Output SnapCard | | 185 mA | |
| 60-757 | 8Z Hardwire Zone Expander SnapCard | | 230 mA | |
| 60-758 | 4 Output SnapCard | | 130 mA | |
| 60-774 | Hardwire Input Module | | 18 mA | |
| 60-770 | Hardwire Output Module | | 91 mA | |
| 60-620-01 | Energy Saver Module | | 20 mA | |
| 60-677* | Interrogator 200 Audio Verification Module | | 10 mA | |
| 60-850 Standard | Cellular Backup Module | | 1600 mA | |
| 60-850-01 High Power | | | 1900 mA | |

Preliminary 12/13/01

Table A2: Hardwire Devices (Continued)

* These devices not listed, investigated, or verified by UL.
 † Listed, but not tested for compatibility by UL.

| Part No. | Description | Qty. | mA (Max.) | Sub Total |
|--|-------------------|------|-----------|-----------|
| 60-783-02 | Automation Module | | 35 mA | |
| Total power consumption: | | | | mA |
| Total power consumption using 30 VA transformer and 4.0 AH backup battery not to exceed: | | | | 1,000 mA |
| Total power consumption using 50 VA transformer and 7.0 AH backup battery not to exceed: | | | | 2,000 mA |

Table A3: Zone and Sensor Assignments

| No. | RF Zone | Module Bus ID Number | Module Input Number | Group | Partition | Zone/Sensor Text |
|-----|---------|----------------------|---------------------|-------|-----------|------------------|
| 01 | | | | | | |
| 02 | | | | | | |
| 03 | | | | | | |
| 04 | | | | | | |
| 05 | | | | | | |
| 06 | | | | | | |
| 07 | | | | | | |
| 08 | | | | | | |
| 09 | | | | | | |
| 10 | | | | | | |
| 11 | | | | | | |
| 12 | | | | | | |
| 13 | | | | | | |
| 14 | | | | | | |
| 15 | | | | | | |
| 16 | | | | | | |
| 17 | | | | | | |
| 18 | | | | | | |
| 19 | | | | | | |
| 20 | | | | | | |
| 21 | | | | | | |
| 22 | | | | | | |
| 23 | | | | | | |
| 24 | | | | | | |
| 25 | | | | | | |
| 26 | | | | | | |
| 27 | | | | | | |
| 28 | | | | | | |
| 29 | | | | | | |
| 30 | | | | | | |
| 31 | | | | | | |
| 32 | | | | | | |
| 33 | | | | | | |

Preliminary 12/13/01

Table A3: Zone and Sensor Assignments (Continued)

| No. | RF Zone | Module Bus ID Number | Module Input Number | Group | Partition | Zone/Sensor Text |
|-----|---------|----------------------|---------------------|-------|-----------|------------------|
| 34 | | | | | | |
| 35 | | | | | | |
| 36 | | | | | | |
| 37 | | | | | | |
| 38 | | | | | | |
| 39 | | | | | | |
| 40 | | | | | | |
| 41 | | | | | | |
| 42 | | | | | | |
| 43 | | | | | | |
| 44 | | | | | | |
| 45 | | | | | | |
| 46 | | | | | | |
| 47 | | | | | | |
| 48 | | | | | | |
| 49 | | | | | | |
| 50 | | | | | | |
| 51 | | | | | | |
| 52 | | | | | | |
| 53 | | | | | | |
| 54 | | | | | | |
| 55 | | | | | | |
| 56 | | | | | | |
| 57 | | | | | | |
| 58 | | | | | | |
| 59 | | | | | | |
| 60 | | | | | | |
| 61 | | | | | | |
| 62 | | | | | | |
| 63 | | | | | | |
| 64 | | | | | | |
| 65 | | | | | | |
| 66 | | | | | | |
| 67 | | | | | | |
| 68 | | | | | | |
| 69 | | | | | | |
| 70 | | | | | | |
| 71 | | | | | | |
| 72 | | | | | | |
| 73 | | | | | | |
| 74 | | | | | | |
| 75 | | | | | | |
| 76 | | | | | | |

Preliminary 12/13/01

Table A4: System Settings Index and Record

| Setting (reference) default | Shortcut No. | Setting |
|---|------------------|-------------------------|
| Installer Programming—8 + Installer/Dealer CODE + 00 | | |
| 24 Hour Tamper (page 31) Off | 06000 | |
| AC Failure (page 33) Off | 06010 | |
| Access Timeout (page 39) 90 sec | 0904 | |
| Account No. (page 20) 00000 | 0010, 0020 | 1 _____ 2 _____ |
| Activity Timeout (page 29) 24 hrs | 0305 | |
| Alarm Verify (page 35) Off | 06108, 06208 | 1 _____ 2 _____ |
| Audio Mode (page 38) 1 | 0901 | |
| Audio Verify (page 38) Off | 0900 | |
| Auto Phone Test (page 25) Off | 02001 | |
| Auto Stay Arming (page 21) On | 0014, 0024 | 1 _____ 2 _____ |
| Auto Test Reset (page 25) On | 02002 | |
| Auxiliary Panic (page 31) On | 0511, 0521 | 1 _____ 2 _____ |
| AVM Access Code (page 39) None | 0906 | |
| Back In Service (page 32) On | 06002 | |
| Backup (page 23) CS Phone 1 On, CS Phone 2-3 Off | 0105, 0115, 0125 | 1 _____ 2 _____ 3 _____ |
| Battery Restoral (page 32) Off | 06005 | |
| Beep Delay (page 39) 2 sec | 0905 | |
| Buffer Control (page 32) Off | 06001 | |
| Buffer Full Report (page 32) Off | 06006 | |
| Bypass Reports (page 32) Off | 06003 | |
| Call Wait Cancel (page 26) None | 02009 | |
| Cancel Message (page 26) On | 02007 | |
| Cellular Backup (page 23) CS Phone 1 On, CS Phone 2-3 Off | 0107, 0117, 0127 | 1 _____ 2 _____ 3 _____ |
| Cellular System (page 41) B | | |
| Closing Reports (page 35) Off | 06101, 06201 | 1 _____ 2 _____ |
| Comm. Failure (page 26) On | 02003 | |
| CS Phone 1-3 (page 22) None | 0100, 0110, 0120 | 1 _____ 2 _____ 3 _____ |
| Daylight Saving (page 29) On | 0306 | |
| Dealer Code (page 20) None | 0002 | |
| Delete Sensors (page 39) None | 082 | |
| Dial Tone Detect (page 27) On | 02010 | |
| Dialer Abort (page 26) On | 02005 | |
| Dial Abort Delay (page 27) 30 sec | 02006 | |
| Disable Trouble Beeps (page 36) Off | 0701 | |
| Downloader Code (page 20) 12345 | 0000 | |
| Downloader Phone No. (page 25) None | 0180 | |
| DTMF Dialing (page 26) On | 02004 | |
| Duress Code (page 22) None | 0017, 0027 | 1 _____ 2 _____ |
| Duress (page 35) Off | 06104, 06204 | 1 _____ 2 _____ |
| Edit Sensors (page 39) None | 083 | |
| Entry Delay (page 29) 32 sec | 0310, 0320 | 1 _____ 2 _____ |

Preliminary 12/13/01

Table A4: System Settings Index and Record (Continued)

| Setting (reference) default | Shortcut No. | Setting |
|--|---------------------------------|--|
| Entry Lights (page 30) none | 0400, 0410 | 1 _____ 2 _____ |
| Exception Reports (phones) (page 22) Off | 0103, 0113, 0123 | 1 _____ 2 _____ 3 _____ |
| Exception Reports (pagers) (page 24) Off | 0133, 0143, 0153, 0163, 0173 | 1 _____ 2 _____ 3 _____ 4 _____ 5 _____ |
| Exit Delay (page 29) 64 sec | 0311, 0321 | 1 _____ 2 _____ |
| Exit Extension (page 20) On | 0013, 0023 | 1 _____ 2 _____ |
| Extended Delay (page 29) 4 min | 0312, 0322 | 1 _____ 2 _____ |
| Fire Panic (page 31) On | 0510, 0520 | 1 _____ 2 _____ |
| Fire Shutdown (page 38) Off | 0902 | |
| Force Armed (page 34) Off | 06105, 06205 | 1 _____ 2 _____ |
| Freeze Alarm (page 35) Off | 06107, 06207 | 1 _____ 2 _____ |
| Global Fire (page 36) Off | 0704 | |
| High Level Reports (phones) (page 22) CS Phone 1 On, CS Phone 2-3 Off | 0101, 0111, 0121 | 1 _____ 2 _____ 3 _____ |
| High Level Reports (pagers) (page 23) On | 0131, 0141, 0151, 0161, 0171 | 1 _____ 2 _____ 3 _____ 4 _____ 5 _____ |
| House Code (page 30) 1B, 2C | 0401, 0411 | 1 _____ 2 _____ |
| Immediate Beeps (page 35) Off | 0700 | |
| Installer Code (page 20) 4321 | 0001 | |
| Keychain TP Arming (page 31) Off | 0513, 0523 | 1 _____ 2 _____ |
| Keyswitch Sensor (page 21) None | 0015, 0025 | 1 _____ 2 _____ |
| Keyswitch Style (page 21) Transition | 0016, 0026 | 1 _____ 2 _____ |
| Latchkey Format (page 35) Off | 06106, 06206 | 1 _____ 2 _____ |
| Latchkey Reports (pagers) (page 24) On | 0135, 0145, 0155, 0165, 0175 | 1 _____ 2 _____ 3 _____ 4 _____ 5 _____ |
| Latchkey Zones (page 31) None | 0500 | |
| Learn Sensors (page 37) None | 080 | |
| Line Fail Delay (page 27) None | 0213 | |
| Local Phone Control (page 27) On | 0210, 0220 | 1 _____ 2 _____ |
| Low CPU Battery (page 32) On | 06004 | |
| Low Level Reports (phones) (page 22) CS Phone 1 On, CS Phone 2-3 Off | 0102, 0112, 0122 | 1 _____ 2 _____ 3 _____ |
| Low Level Reports (pagers) (page 24) Off | 0132, 0142, 0152, 0162, 0172 | 1 _____ 2 _____ 3 _____ 4 _____ 5 _____ |
| Next Phone Test (page 29) 7 days | 0303 | |
| No Activity (page 34) Off | 06103, 06203 | 1 _____ 2 _____ |
| Open/Close Reports (phones) (page 24) Off | 0104, 0114, 0124 | 1 _____ 2 _____ 3 _____ |
| Open/Close Reports (pagers) (page 24) Off | 0134, 0144, 0154, 0164, 0174 | 1 _____ 2 _____ 3 _____ 4 _____ 5 _____ |
| Opening Reports (page 34) Off | 06100, 06200 | 1 _____ 2 _____ |
| Onboard Output 1 (page 43) 01614- any audible alarm | 11101 | |
| Onboard Output 2 (page 43) 01710 - status & alarm tones | 11111 | |
| Output Trip Time (page 29) 4 sec | 0304 | |
| Pager Delay (page 26) 15 sec | 02008 | |
| Pager Partition Assignment (page 24) 1 | 0137, 0147, 0157, 0167, 0177 | 1 _____ 2 _____ 3 _____ 4 _____ 5 _____ |

Preliminary 12/13/01

Table A4: System Settings Index and Record (Continued)

| Setting (reference) default | Shortcut No. | Setting |
|---|---------------------------------|--|
| Pager Phone 1-5 (page 23) None | 0130, 0140, 0150, 0160, 0170 | 1 _____ 2 _____ 3 _____ 4 _____ 5 _____ |
| Phone Access Key (page 28) # | 0216, 0226 | 1 _____ 2 _____ |
| Phone Panic (page 28) Off | 0215, 0225 | 1 _____ 2 _____ |
| Phone Test (page 27) On | 02000 | |
| Phone Test Freq. (page 28) 7 days | 0302 | |
| Police Panic (page 31) On | 0512, 0522 | 1 _____ 2 _____ |
| Program Report (page 33) Off | 06015 | |
| Quick Arm (page 20) Off | 0011, 0021 | 1 _____ 2 _____ |
| Quick Exit (page 20) On | 0012, 0022 | 1 _____ 2 _____ |
| Receiver Failure (page 33) Off | 06011 | |
| Recent Closings (page 34) On | 06102, 06202 | 1 _____ 2 _____ |
| Remote Access (page 27) On | 0211, 0221 | 1 _____ 2 _____ |
| RF Low Battery Rpt (page 33) Weekly | 06012 | |
| RF Supervisory Rpt (page 33) Weekly | 06013 | |
| RF TX Timeout (page 28) 12 hrs | 0301 | |
| Ring/Hang/Ring (page 27) On | 0212, 0222 | 1 _____ 2 _____ |
| Reporting Format (SIA/CID) (page 23) CID | 0106, 0116, 0126 | 1 _____ 2 _____ 3 _____ |
| Sensor Text (page 37) None | 081 | |
| Silent Talkback (page 39) Off | 0903 | |
| Siren Timeout (page 30) 4 min | 0313, 0323 | 1 _____ 2 _____ |
| Siren Verify (page 36) Off | 0710 | |
| Sleep Time | 0314, 0324 | 1 _____ 2 _____ |
| Smoke Verify (page 42) Off | 1100 | |
| SnapCard Output 1 (page 41) (01400 - keychain touchpad star button activation) | 101001 | |
| SnapCard Output 2 (page 41) (00410 - any audible alarm) | 101011 | |
| SnapCard Output 3 (page 41) (00903 - arming to STAY or AWAY) | 101021 | |
| SnapCard Output 4 (page 41) (01003 - arming to AWAY) | 101031 | |
| Star Is No Delay (page 31) Off | 0514, 0524 | 1 _____ 2 _____ |
| Streamlining (page 24) On | 0136, 0146, 0156, 0166, 0176 | 1 _____ 2 _____ 3 _____ 4 _____ 5 _____ |
| Supervisory Time (page 28) 03:00 | 0300 | |
| Swinger Limit (page 33) 1 | 06014 | |
| SWS Code (page 36) 003 | 0703 | |
| System Tamper (page 35) Off | 06109, 06209 | 1 _____ 2 _____ |
| Toll Saver (page 28) On | 0214, 0224 | 1 _____ 2 _____ |
| TP Panic RPT FMT (page 33) Off | 06009 | |
| Two Trip Error (page 32) Off | 06008 | |
| Two Wire Smoke (page 42) Off | 1101 | |
| UL 98 Options (page 36) Off | 0702 | |
| Zone Restorals (page 32) Off | 06007 | |

Appendix B: Reference Tables

Table B1: Sensor Group Characteristics

| No. | Name | Application | Alarm | Delay | Restoral | Supervisory | CS Report | Chime (Level 1 only) | Active Levels |
|-----|-------------------------|--|-----------|----------------|----------|-------------|-----------|----------------------|---------------|
| 00 | Fixed Panic | 24-hour audible fixed emergency buttons. | Police | Instant | | √ | √ | | 1, 2, 3 |
| 01 | Portable Panic | 24-hour audible portable emergency buttons. | Police | Instant | | | √ | | 1, 2, 3 |
| 02 | Fixed Panic | 24-hour silent fixed emergency buttons. | Silent | Instant | | √ | √ | | 1, 2, 3 |
| 03 | Portable Panic | 24-hour silent portable emergency buttons. | Silent | Instant | | | √ | | 1, 2, 3 |
| 04 | Fixed Auxiliary | 24-hour auxiliary sensor, such as Pendant Panic or holdup button. | Auxiliary | Instant | | √ | √ | | 1, 2, 3 |
| 05 | Fixed Auxiliary | 24-hour auxiliary emergency button. Siren shutoff confirms CS report. | Auxiliary | Instant | | √ | √ | | 1, 2, 3 |
| 06 | Portable Auxiliary | 24-hour portable auxiliary alert button. | Auxiliary | Instant | | | √ | | 1, 2, 3 |
| 07 | Portable Auxiliary | 24-hour portable auxiliary button. Siren shutoff confirms CS report. | Auxiliary | Instant | | | √ | | 1, 2, 3 |
| 08 | Special Intrusion | Special belongings, such as gun cabinets and wall safes. | Police | Instant | √ | √ | √ | | 1, 2, 3 |
| 09 | Special Intrusion | Special belongings, such as gun cabinets and wall safes. | Police | Standard | √ | √ | √ | | 1, 2, 3 |
| 10 | Entry/Exit Delay | Entry and exit doors that require a standard delay time. | Police | Standard | √ | √ | √ | √ | 2, 3 |
| 11 | Entry/Exit Delay | Garage doors and entrances that require an extended delay time. * | Police | Extended | √ | √ | √ | √ | 2, 3 |
| 12 | Entry/Exit Delay | Driveway gates and entrances that require a twice extended delay time. * | Police | Twice Extended | √ | √ | √ | √ | 2, 3 |
| 13 | Instant Perimeter | Exterior doors and windows. | Police | Instant | √ | √ | √ | √ | 2, 3 |
| 14 | Instant Interior | Interior doors. | Police | Follower | √ | √ | √ | | 2, 3 |
| 15 | Instant Interior | Interior PIR motion sensors. * | Police | Follower | | √ | √ | | 2, 3 |
| 16 | Instant Interior | Interior doors. | Police | Follower | √ | √ | √ | | 3 |
| 17 | Instant Interior | PIR motion sensors. * | Police | Follower | | √ | √ | | 3 |
| 18 | Instant Interior | PIR motion sensors subject to false alarms. * † | Police | Follower | | √ | √ | | 3 |
| 19 | Delayed Interior | Interior doors that initiate a delay before going into alarm. * | Police | Standard | √ | √ | √ | | 3 |
| 20 | Delayed Interior | PIR motion sensors that initiate a delay before going into alarm. * | Police | Standard | | √ | √ | | 3 |
| 21 | Local Instant Interior | 24-hour local alarm zone protecting anything that opens and closes. | Police | Instant | √ | √ | | | 1, 2, 3 |
| 22 | Local Delayed Interior | Same as group 21, plus activation initiates a delay before going into alarm. | Police | Standard | √ | √ | | | 1, 2, 3 |
| 23 | Local Instant Auxiliary | 24-hour local alarm zone protecting anything that opens and closes. ‡ | Auxiliary | Instant | √ | √ | | | 1, 2, 3 |
| 24 | Local Instant Auxiliary | 24-hour local alarm zone protecting anything that opens and closes. Sirens shut off at restoral. * | Auxiliary | Instant | √ | √ | | | 1, 2, 3 |

Preliminary 12/13/01

Table B1: Sensor Group Characteristics (Continued)

| No. | Name | Application | Alarm | Delay | Restoral | Supervisory | CS Report | Chime (Level 1 only) | Active Levels |
|-----|---------------------------------|--|---------------|---------|----------|-------------|---------------------|----------------------|---------------|
| 25 | Local Special Chime | Notify the user when a door is opened. Sounds emit from a local annunciator. * | Special Chime | Instant | | √ | | | 1, 2, 3 |
| 26 | Fire | 24-hour fire, rate-of-rise heat, and smoke sensors. | Fire | Instant | √ | √ | √ | | 1, 2, 3 |
| 27 | Output Module | Hardwire Output Module (HOM) lamp control or other customer feature. ‡ | Silent | Instant | √ | √ | | | 1, 2, 3 |
| 28 | Output Module | HOM, PIR motion sensor, sound sensor, or pressure mat. ‡ | Silent | Instant | | √ | | | 1, 2, 3 |
| 29 | Auxiliary | Freeze sensor. | Auxiliary | Instant | √ | √ | √ | | 1, 2, 3 |
| 32 | Output Module | HOM, PIR motion sensor, sound sensor, or pressure mat. ‡ | Silent | Instant | | | | | |
| 33 | Siren | Wireless Siren Supervision. ‡ | Silent | Instant | | √ | √ | | 1, 2, 3 |
| 34 | Gas | Carbonmonoxide (CO) Gas Detectors ‡ | Auxiliary | Instant | √ | √ | √ | | 1, 2, 3 |
| 35 | Local Instant Police (Day Zone) | Local alarm in levels 1 and 2. Report to CS in level 3. | Police | Instant | √ | √ | √ (level 3 only) | | 1, 2, 3 |

Note: Check marks (√) represent characteristics present in a group.
 * This group is not certified as a primary protection circuit for UL-listed systems and is for supplementary use only.
 † Sounds instant police siren if two or more sensors are tripped within 4 minutes. Otherwise sensors are followers to delayed sensors. If Alarm Verification is on, group 18 functions like group 17.
 ‡ This group has not been investigated by UL.
 § This group is required for UL-listed residential fire alarm applications.

Preliminary 12/13/01

Table B2: Item Numbers and Sensor Text

| Item Number | Sensor Text | Item Number | Sensor Text | Item Number | Sensor Text | Item Number | Sensor Text |
|-------------|-----------------|-------------|--------------|-------------|-------------|-------------|-------------|
| 001 | Aborted | 040 | Control | 079 | Gallery | 118 | Mother's |
| 002 | AC | 041 | Date | 080 | Garage | 119 | Motion |
| 003 | Access | 042 | Daughter's | 081 | Gas | 120 | No |
| 004 | Active | 043 | Degrees | 082 | Glass | 121 | North |
| 005 | Activity | 044 | Delay | 083 | Goodbye | 122 | Not |
| 006 | Alarm | 045 | Den | 084 | Hallway | 123 | Now |
| 007 | All | 046 | Desk | 085 | Heat | 124 | Number |
| 008 | AM | 047 | Detector | 086 | Hello | 125 | Off |
| 009 | Area | 048 | Dining | 087 | Help | 126 | Office |
| 010 | Arm | 049 | Disarmed | 088 | High | 127 | OK |
| 011 | Armed | 050 | Door | 089 | Home | 128 | On |
| 012 | Arming | 051 | Down | 090 | House | 129 | Open |
| 013 | Attic | 052 | Download | 091 | In | 130 | Opening |
| 014 | Auxiliary | 053 | Downstairs | 092 | Install | 131 | Panic |
| 015 | Away | 054 | Drawer | 093 | Interior | 132 | Partition |
| 016 | Baby | 055 | Driveway | 094 | Intrusion | 133 | Patio |
| 017 | Back | 056 | Duct | 095 | Invalid | 134 | Pet |
| 018 | Bar | 057 | Duress | 096 | Is | 135 | Phone |
| 019 | Basement | 058 | East | 097 | Key | 136 | Please |
| 020 | Bathroom | 059 | Energy Saver | 098 | Kids | 137 | PM |
| 021 | Battery | 060 | Enter | 099 | Kitchen | 138 | Police |
| 022 | Bedroom | 061 | Entry | 100 | Latchkey | 139 | Pool |
| 023 | Bottom | 062 | Error | 101 | Laundry | 140 | Porch |
| 024 | Breezeway | 063 | Exit | 102 | Left | 141 | Power |
| 025 | Building | 064 | Exterior | 103 | Level | 142 | Press |
| 026 | Bus | 065 | Factory | 104 | Library | 143 | Program |
| 027 | Bypass | 066 | Failure | 105 | Light | 144 | Progress |
| 028 | Bypassed | 067 | Family | 106 | Lights | 145 | Quiet |
| 029 | Cabinet | 068 | Father's | 107 | Living | 146 | Rear |
| 030 | Canceled | 069 | Feature | 108 | Load | 147 | Receiver |
| 031 | Car | 070 | Fence | 109 | Loading | 148 | Report |
| 032 | Carbon Monoxide | 071 | Fire | 110 | Low | 149 | RF |
| 033 | Central | 072 | First | 111 | Lower | 150 | Right |
| 034 | Chime | 073 | Floor | 112 | Main | 151 | Room |
| 035 | Closed | 074 | Force | 113 | Master | 152 | Safe |
| 036 | Closet | 075 | Foyer | 114 | Mat | 153 | Schedule |
| 037 | Closing | 076 | Freeze | 115 | Medical | 154 | Screen |
| 038 | Code | 077 | Front | 116 | Memory | 155 | Second |
| 039 | Computer | 078 | Furnace | 117 | Menu | 156 | Sensor |

Preliminary 12/13/01

Table B2: Item Numbers and Sensor Text (Continued)

| Number | Text | Number | Text | Number | Text | Number | Text |
|--------|-------------|--------|----------|--------|------|--------|----------------|
| 156 | Sensor | 175 | Time | 194 | 9 | 212 | R |
| 157 | Service | 176 | To | 195 | A | 213 | S |
| 158 | Shed | 177 | Touchpad | 196 | B | 214 | T |
| 159 | Shock | 178 | Trouble | 197 | C | 215 | U |
| 160 | Side | 179 | Unbypass | 198 | D | 216 | V |
| 161 | Siren | 180 | Unit | 199 | E | 217 | W |
| 162 | Sliding | 181 | Up | 200 | F | 218 | X |
| 163 | Smoke | 182 | West | 201 | G | 219 | Y |
| 164 | Son's | 183 | Window | 202 | H | 220 | Z |
| 165 | Sound | 184 | Zone | 203 | I | 221 | (space) |
| 166 | South | 185 | 0 | 204 | J | 222 | '(apostrophe) |
| 167 | Special | 186 | 1 | 205 | K | 223 | - (dash) |
| 168 | Stairs | 187 | 2 | 206 | L | 224 | _ (underscore) |
| 169 | Stay | 188 | 3 | 207 | M | 225 | * |
| 170 | Supervisory | 189 | 4 | 208 | N | 226 | # |
| 171 | System | 190 | 5 | 209 | O | 227 | : |
| 172 | Tamper | 191 | 6 | 210 | P | 228 | / |
| 173 | Temperature | 192 | 7 | 211 | Q | 229 | ? |
| 174 | Test | 193 | 8 | | | | |

Table B3: System Event Trigger Numbers

| System Event | Description | Trigger No. |
|--|--|-------------|
| Null Trigger (used for direct control) | Activated only by schedule or direct command. | 000 |
| Fire Alarm | When Fire sirens are started. | 001 |
| Police Alarm | When Police sirens are started. | 002 |
| Auxiliary Alarm | When Auxiliary sirens are started. | 003 |
| Any Audible Alarm | When any of the above sirens are started. | 004 |
| Silent Alarm (sensor groups 2, 3, and duress) | When a sensor in group 2 or 3 goes into alarm or when a duress alarm is activated (does not include groups 25, 27, 28, or 32). | 005 |
| Any Audible or Silent Alarm | When any alarm is started (does not include groups 25, 27, 28, or 32). | 006 |
| HOM Group 27, 28, 32 in Alarm | When a sensor in group 27, 28, or 32 goes into alarm. | 007 |
| Major Trouble (phone or receiver failure) | When a receiver failure (S94) or a phone failure (S96) occurs. | 008 |
| Arming to STAY or AWAY | When the panel is armed to level 2 or 3. | 009 |
| Arming to AWAY | When the panel is armed to level 3. | 010 |
| AVM is Interactive (audio session in progress) | When the central station operator begins listening or talking to the premises. | 011 |
| Fail-to-Communicate (panel can't call CS or pager) | When the fail-to-communicate output is activated. | 012 |
| AVM Trip (edge) | When an AVM alarm occurs, output is activated momentarily. | 013 |
| Keychain Touchpad Star Button-Press | When the star button on a keychain touchpad is pressed. | 014 |

Table B3: System Event Trigger Numbers (Continued)

| System Event | Description | Trigger No. |
|--|---|--------------|
| Smoke Power (for resetting 4-wire smoke detectors) | Deactivated when hardwire smoke detectors need to be reset. | 015 |
| Exterior Siren | Activated for police or fire alarms. | 016 |
| Interior Siren | Activation follows all system noises | 017 |
| AVM Trip (pulse) | When an AVM alarm occurs, output is deactivated for 10 ms | 018 |
| State of System Status | Follows the state of system status (ready or trouble). | 019 |
| Tamper Condition | When any tamper is tripped | 020 |
| Closing Report Sent | When a closing report has been successfully transmitted to the central station. | 021 |
| Group XX in Alarm | When any sensor in group XX goes into alarm | see Table B4 |
| Sensor XX in Alarm | When sensor number XX goes into alarm | see Table B4 |
| Sensor XX Open | When sensor number XX is opened | see Table B4 |

Table B4: Sensor Group Event Trigger Numbers

| Sensor Group | Trigger No. |
|-------------------|-------------|
| Group 00 in alarm | 064 |
| Group 01 in alarm | 065 |
| Group 02 in alarm | 066 |
| Group 03 in alarm | 067 |
| Group 04 in alarm | 068 |
| Group 05 in alarm | 069 |
| Group 06 in alarm | 070 |
| Group 07 in alarm | 071 |
| Group 08 in alarm | 072 |
| Group 09 in alarm | 073 |
| Group 10 in alarm | 074 |
| Group 11 in alarm | 075 |
| Group 12 in alarm | 076 |
| Group 13 in alarm | 077 |
| Group 14 in alarm | 078 |
| Group 15 in alarm | 079 |
| Group 16 in alarm | 080 |

Table B4: Sensor Group Event Trigger Numbers

| Sensor Group | Trigger No. |
|-------------------|-------------|
| Group 17 in alarm | 081 |
| Group 18 in alarm | 082 |
| Group 19 in alarm | 083 |
| Group 20 in alarm | 084 |
| Group 21 in alarm | 085 |
| Group 22 in alarm | 086 |
| Group 23 in alarm | 087 |
| Group 24 in alarm | 088 |
| Group 25 in alarm | 089 |
| Group 26 in alarm | 090 |
| Group 27 in alarm | 091 |
| Group 28 in alarm | 092 |
| Group 29 in alarm | 093 |
| Group 32 in alarm | 096 |
| Group 33 in alarm | 097 |
| Group 34 in alarm | 098 |
| Group 35 in alarm | 099 |

Preliminary 12/13/01

Table B5: Sensor Number Event Trigger Numbers

| Sensor Number | State | Trigger No. | State | Trigger No. |
|---------------|----------|-------------|-------|-------------|
| Sensor 01 | in alarm | 129 | open | 257 |
| Sensor 02 | in alarm | 130 | open | 258 |
| Sensor 03 | in alarm | 131 | open | 259 |
| Sensor 04 | in alarm | 132 | open | 260 |
| Sensor 05 | in alarm | 133 | open | 261 |
| Sensor 06 | in alarm | 134 | open | 262 |
| Sensor 07 | in alarm | 135 | open | 263 |
| Sensor 08 | in alarm | 136 | open | 264 |
| Sensor 09 | in alarm | 137 | open | 265 |
| Sensor 10 | in alarm | 138 | open | 266 |
| Sensor 11 | in alarm | 139 | open | 267 |
| Sensor 12 | in alarm | 140 | open | 268 |
| Sensor 13 | in alarm | 141 | open | 269 |
| Sensor 14 | in alarm | 142 | open | 270 |
| Sensor 15 | in alarm | 143 | open | 271 |
| Sensor 16 | in alarm | 144 | open | 272 |
| Sensor 17 | in alarm | 145 | open | 273 |
| Sensor 18 | in alarm | 146 | open | 274 |
| Sensor 19 | in alarm | 147 | open | 275 |
| Sensor 20 | in alarm | 148 | open | 276 |
| Sensor 21 | in alarm | 149 | open | 277 |
| Sensor 22 | in alarm | 150 | open | 278 |
| Sensor 23 | in alarm | 151 | open | 279 |
| Sensor 24 | in alarm | 152 | open | 280 |
| Sensor 25 | in alarm | 153 | open | 281 |
| Sensor 26 | in alarm | 154 | open | 282 |
| Sensor 27 | in alarm | 155 | open | 283 |
| Sensor 28 | in alarm | 156 | open | 284 |
| Sensor 29 | in alarm | 157 | open | 285 |
| Sensor 30 | in alarm | 158 | open | 286 |
| Sensor 31 | in alarm | 159 | open | 287 |
| Sensor 32 | in alarm | 160 | open | 288 |
| Sensor 33 | in alarm | 161 | open | 289 |
| Sensor 34 | in alarm | 162 | open | 290 |
| Sensor 35 | in alarm | 163 | open | 291 |
| Sensor 36 | in alarm | 164 | open | 292 |
| Sensor 37 | in alarm | 165 | open | 293 |
| Sensor 38 | in alarm | 166 | open | 294 |

Table B5: Sensor Number Event Trigger Numbers

| Sensor Number | State | Trigger No. | State | Trigger No. |
|---------------|----------|-------------|-------|-------------|
| Sensor 39 | in alarm | 167 | open | 295 |
| Sensor 40 | in alarm | 168 | open | 296 |
| Sensor 41 | in alarm | 169 | open | 297 |
| Sensor 42 | in alarm | 170 | open | 298 |
| Sensor 43 | in alarm | 171 | open | 299 |
| Sensor 44 | in alarm | 172 | open | 300 |
| Sensor 45 | in alarm | 173 | open | 301 |
| Sensor 46 | in alarm | 174 | open | 302 |
| Sensor 47 | in alarm | 175 | open | 303 |
| Sensor 48 | in alarm | 176 | open | 304 |
| Sensor 49 | in alarm | 177 | open | 305 |
| Sensor 50 | in alarm | 178 | open | 306 |
| Sensor 51 | in alarm | 179 | open | 307 |
| Sensor 52 | in alarm | 180 | open | 308 |
| Sensor 53 | in alarm | 181 | open | 309 |
| Sensor 54 | in alarm | 182 | open | 310 |
| Sensor 55 | in alarm | 183 | open | 311 |
| Sensor 56 | in alarm | 184 | open | 312 |
| Sensor 57 | in alarm | 185 | open | 313 |
| Sensor 58 | in alarm | 186 | open | 314 |
| Sensor 59 | in alarm | 187 | open | 315 |
| Sensor 60 | in alarm | 188 | open | 316 |
| Sensor 61 | in alarm | 189 | open | 317 |
| Sensor 62 | in alarm | 190 | open | 318 |
| Sensor 63 | in alarm | 191 | open | 319 |
| Sensor 64 | in alarm | 192 | open | 320 |
| Sensor 65 | in alarm | 193 | open | 321 |
| Sensor 66 | in alarm | 194 | open | 322 |
| Sensor 67 | in alarm | 195 | open | 323 |
| Sensor 68 | in alarm | 196 | open | 324 |
| Sensor 69 | in alarm | 197 | open | 325 |
| Sensor 70 | in alarm | 198 | open | 326 |
| Sensor 71 | in alarm | 199 | open | 327 |
| Sensor 72 | in alarm | 200 | open | 328 |
| Sensor 73 | in alarm | 201 | open | 329 |
| Sensor 74 | in alarm | 202 | open | 330 |
| Sensor 75 | in alarm | 203 | open | 331 |
| Sensor 76 | in alarm | 204 | open | 332 |

Table B6: System Feature Event Trigger Numbers

| Feature | State | Trigger No. |
|-----------------------------|--|-------------|
| Phone Test | initiated | 225 |
| AC Failure | for 15 minutes | 226 |
| CPU Low Battery | detected (excluding first minute after power-up) | 227 |
| Auto Phone Test | begun | 228 |
| Receiver Failure | detected | 229 |
| Back In Service | alarm (AC loss, battery drain, then AC restore) | 230 |
| Phone Failure | detected | 231 |
| Buffer Full | detected | 232 |
| Two Trip Error | detected | 233 |
| System Tamper | alarm (40 incorrect code entry keystrokes) | 236 |
| Freeze | alarm | 237 |
| No Activity | alarm | 238 |
| Fire Panic | alarm | 239 |
| Police Panic | alarm | 240 |
| Auxiliary Panic | alarm | 241 |
| Opening Report | occurred | 242 |
| Closing Report | occurred | 243 |
| Latchkey Opening or Closing | occurred | 244 |
| Duress | alarm | 245 |
| Force Armed Report | occurred | 246 |
| Fire in Partition | alarm | 247 |
| Recent Closing Report | occurred | 248 |
| Sensor Test | entered | 249 |

Table B7: Response Characteristics

| Response Characteristics | Description |
|--------------------------|---|
| Momentary trip time | The point will remain activated for <i>nn</i> seconds (n is 1-12 seconds). The default is 4 seconds |
| 3 minute trip time | The point will remain activated for 3 minutes |
| Siren-time trip time | The point will remain activated while the interior siren is sounding |
| Sustained trip time | The point will remain activated for the duration of the event |

Table B7: Response Characteristics (Continued)

| Response Characteristics | Description |
|--------------------------|---|
| Siren pattern | The point will activate and deactivate according to the current alarm type: Auxiliary -- fast on/off/on Police -- constant on Fire -- repeating) |
| Trip delay | The point will activate 30 seconds after the trigger event occurs |

Table B8: Response Numbers

| Siren Tracking | Trip Delay | Response Time | Response No. |
|------------------|------------------|-------------------------|--------------|
| no | no | momentary | 00 |
| no | no | 3 minutes ⁵ | 01 |
| no | no | siren time ² | 02 |
| no | no | sustained ³ | 03 |
| no | yes ⁴ | momentary | 04 |
| no | yes ⁴ | 3 minutes ⁵ | 05 |
| no | yes ⁴ | siren time ² | 06 |
| no | yes ⁴ | sustained ³ | 07 |
| yes ¹ | no | momentary | 08 |
| yes ¹ | no | 3 minutes ⁵ | 09 |
| yes ¹ | no | siren time ² | 10 |
| yes ¹ | no | sustained ³ | 11 |
| yes ¹ | yes ⁴ | momentary | 12 |
| yes ¹ | yes ⁴ | 3 minutes ⁵ | 13 |
| yes ¹ | yes ⁴ | siren time ² | 14 |
| yes ¹ | yes ⁴ | sustained ³ | 15 |

Notes for Table B.8 Response Numbers

1. If an event does not trigger sirens, siren tracking response numbers activate without turning on the output. If sirens are triggered by another event, the output pulses to match the siren.

If the siren cadence changes (from police to fire, for example), outputs set up for siren tracking change to match the siren and all pulsing outputs pulse to one common cadence.

Note

The mechanical lifetime of the relay may be exceeded if an output is set up for a siren tracking response and a pulsing siren (auxiliary or fire) is active for long time periods. A SnapCard relay output's lifetime expectancy is about 350 total pulsing hours.

2. If an event does not trigger sirens, siren time response times activate outputs only if sirens are active for another reason.
3. If an alarm event does not necessarily require disarming (no activity, closing report, etc.), outputs set up for a sustained response time remain activated until the next arming level change.

Preliminary 12/13/01

4. If an event occurs that activates an output set up for trip delay, the delay and output activation can be canceled by trigger event restoral.

Note

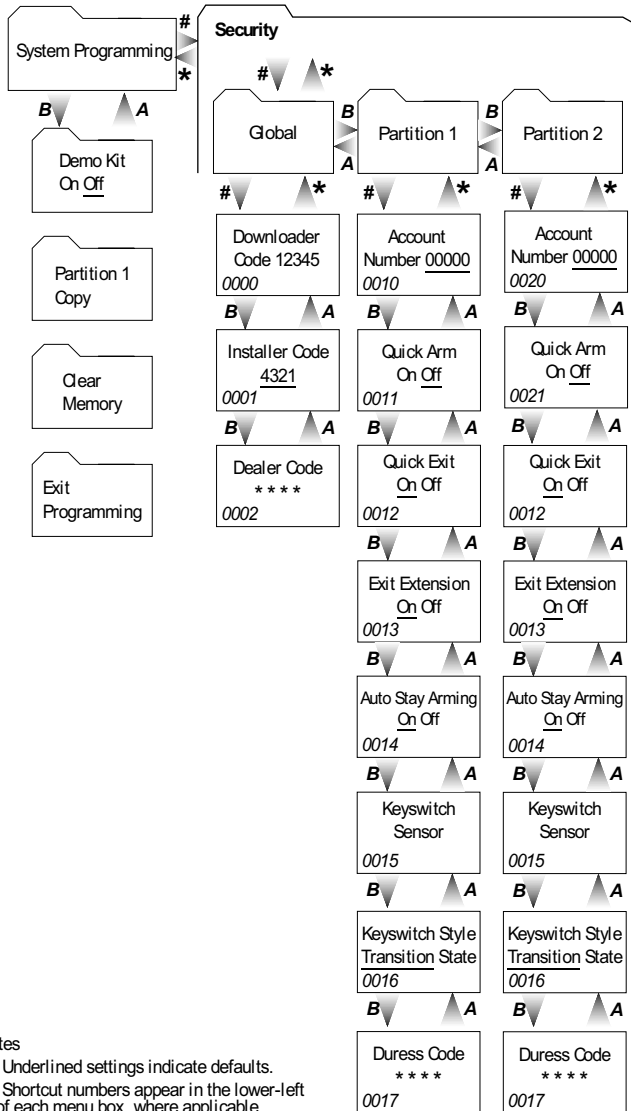
The trip delay is factory set for 30 seconds and cannot be changed.

5. Activated outputs set up for a 3-minute response time remain active for the entire three minutes. To deactivate the output before the 3-minute time expires, you must enter program mode or remove panel power.

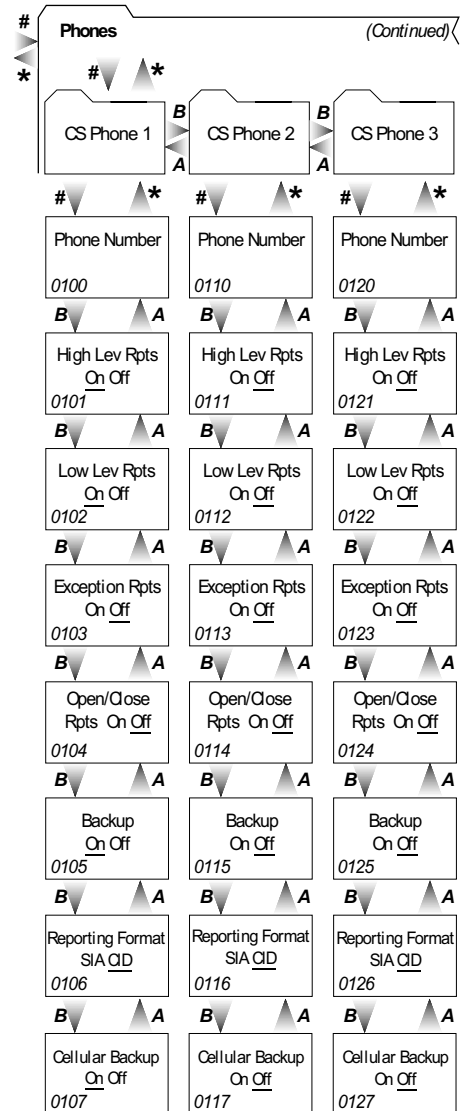
Activated outputs set up for a momentary or 3-minute response time restart if the same trigger event occurs again.

Appendix C: Settings

To enter Programming Mode,
8 + Installer or
Dealer Code + 0 + 0



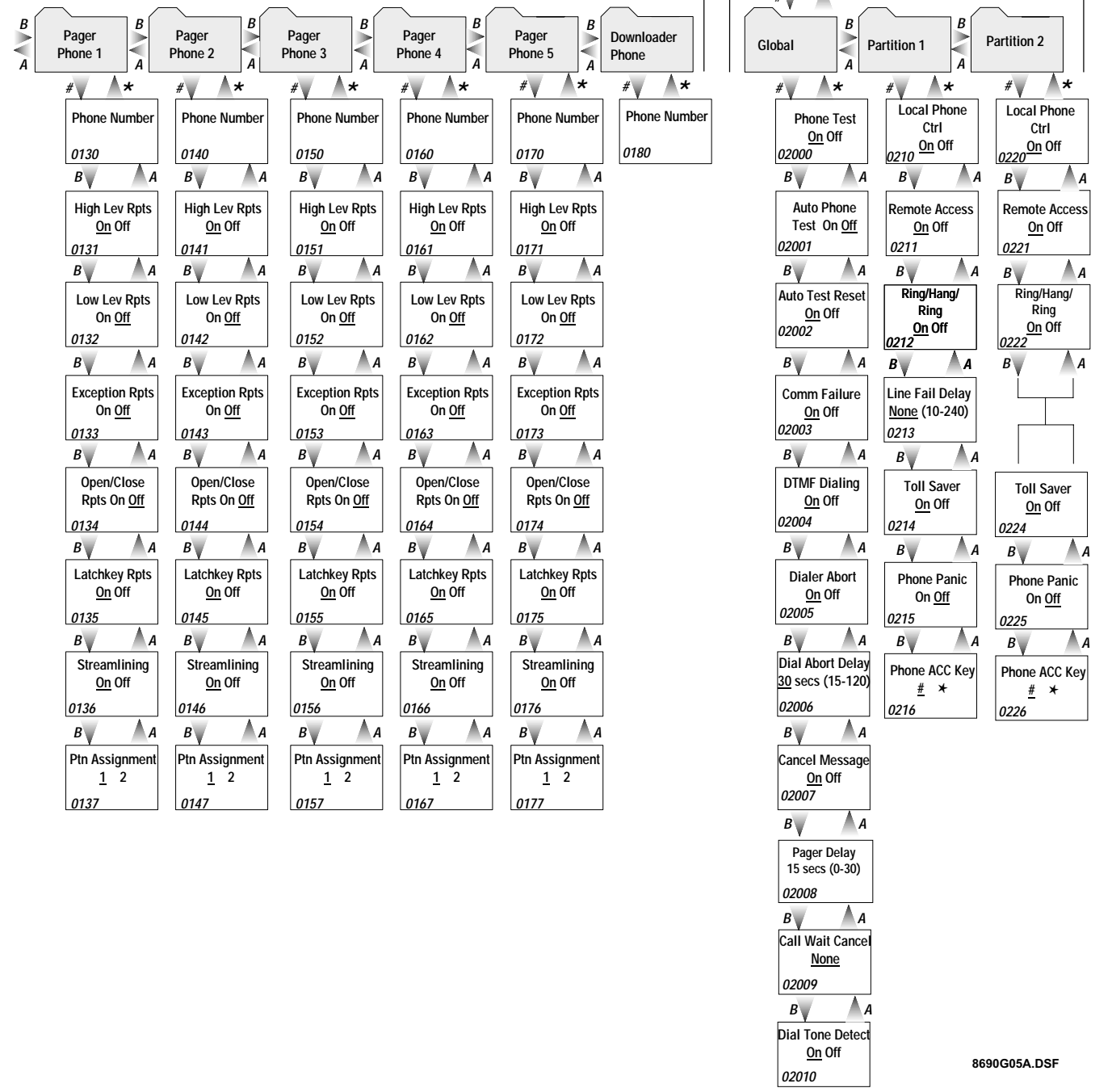
- Notes
1. Underlined settings indicate defaults.
 2. Shortcut numbers appear in the lower-left corner of each menu box, where applicable.



8690G04B.DSF

TIER 2 MENUS (cont.)

Phones (cont.)



8690G05A.DSF

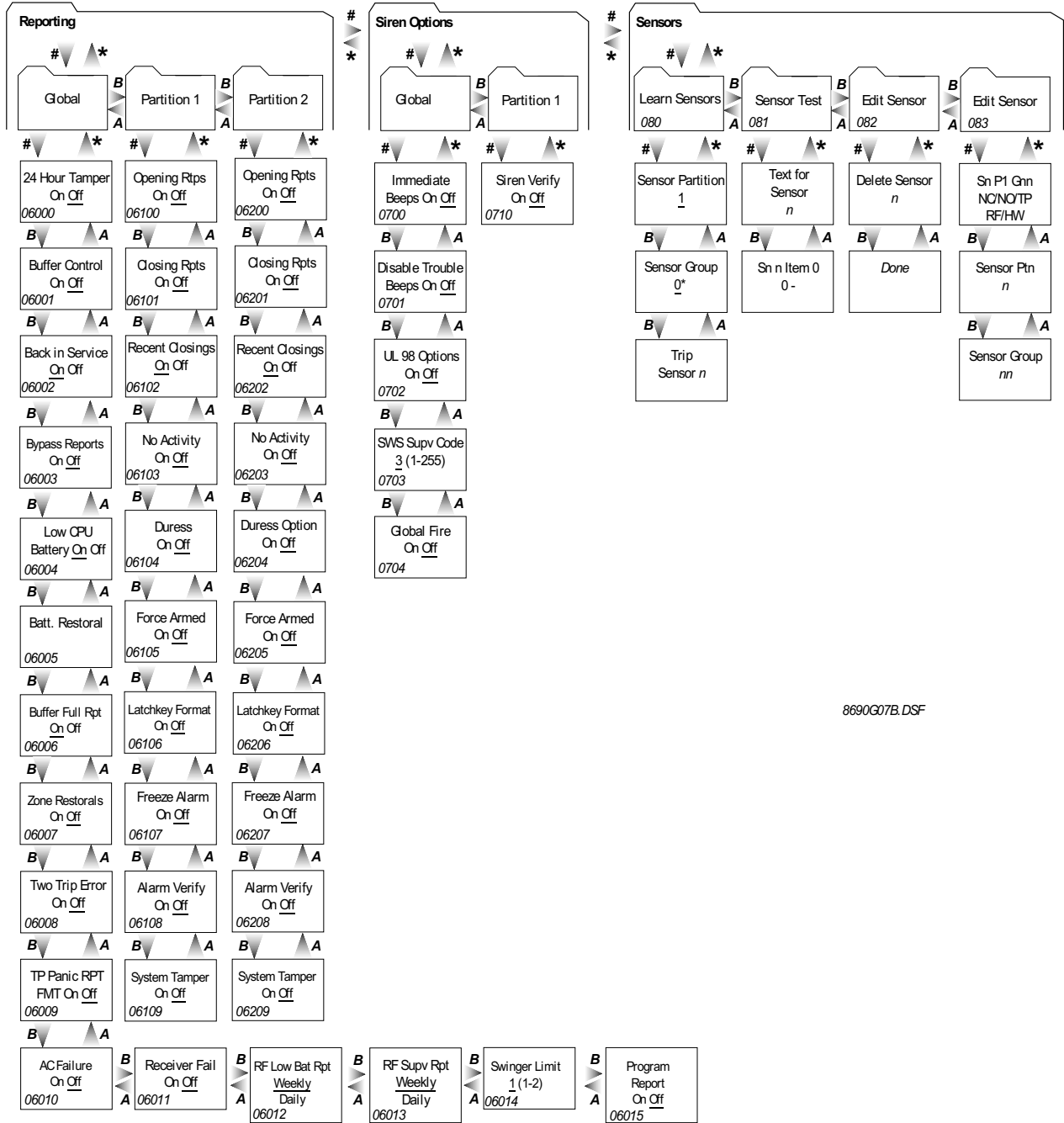
| | | |
|--|---|---|
| # ▾ ▲ * | # ▾ ▲ * | # ▾ ▲ * |
| Supervs. Time Rndm 1:00-4:00 0300 | Account Number 00000 0310 | Account Number 00000 0320 |
| B ▾ ▲ A | B ▾ ▲ A | B ▾ ▲ A |
| RF Tx Timeout 12 hours (2-24) 0301 | Exit Delay 64 secs (48-184) 0311 | Quick Arm On Off 0321 |
| B ▾ ▲ A | B ▾ ▲ A | B ▾ ▲ A |
| Ph. Test Freq 7 days (1-255) 0302 | Extended Delay 4 mins (1-8) 0312 | Extended Delay 4 mins (1-8) 0322 |
| B ▾ ▲ A | B ▾ ▲ A | B ▾ ▲ A |
| Next Ph. Test 7 days (1-255) 0303 | Siren Timeout 4 mins (1-30) 0313 | Siren Timeout 4 mins (1-30) 0323 |
| B ▾ ▲ A | B ▾ ▲ A | B ▾ ▲ A |
| Output Trip Time 4 sec (1-12) 0304 | Sleep Time 22:00 (00:00-23:50) 0314 | Sleep Time 22:00 (00:00-23:50) 0324 |
| B ▾ ▲ A | | |
| Act. Timeout 24 hours (1-42) 0305 | | |
| B ▾ ▲ A | | |
| Daylight Sav. On Off 0306 | | |

| | |
|------------------------------------|------------------------------------|
| # ▾ ▲ * | # ▾ ▲ * |
| Entry Lights None (3-9) 0400 | Entry Lights None (3-9) 0410 |
| B ▾ ▲ A | B ▾ ▲ A |
| House Code 1B (1-255) 0401 | House Code 1B (1-255) 0411 |

| | | |
|---------------------------------------|------------------------------------|------------------------------------|
| # ▾ ▲ * | # ▾ ▲ * | # ▾ ▲ * |
| Latchkey Zones None (1-76) 0500 | Fire Panic On Off 0510 | Fire Panic On Off 0520 |
| | B ▾ ▲ A | B ▾ ▲ A |
| | Auxiliary Panic On Off 0511 | Auxiliary Panic On Off 0521 |
| | B ▾ ▲ A | B ▾ ▲ A |
| | Police Panic On Off 0512 | Police Panic On Off 0522 |
| | B ▾ ▲ A | B ▾ ▲ A |
| | Keychain TP Arm On Off 0513 | Keychain TP Arm On Off 0523 |
| | B ▾ ▲ A | B ▾ ▲ A |
| | Star is No Delay On Off 0514 | Star is No Delay On Off 0524 |

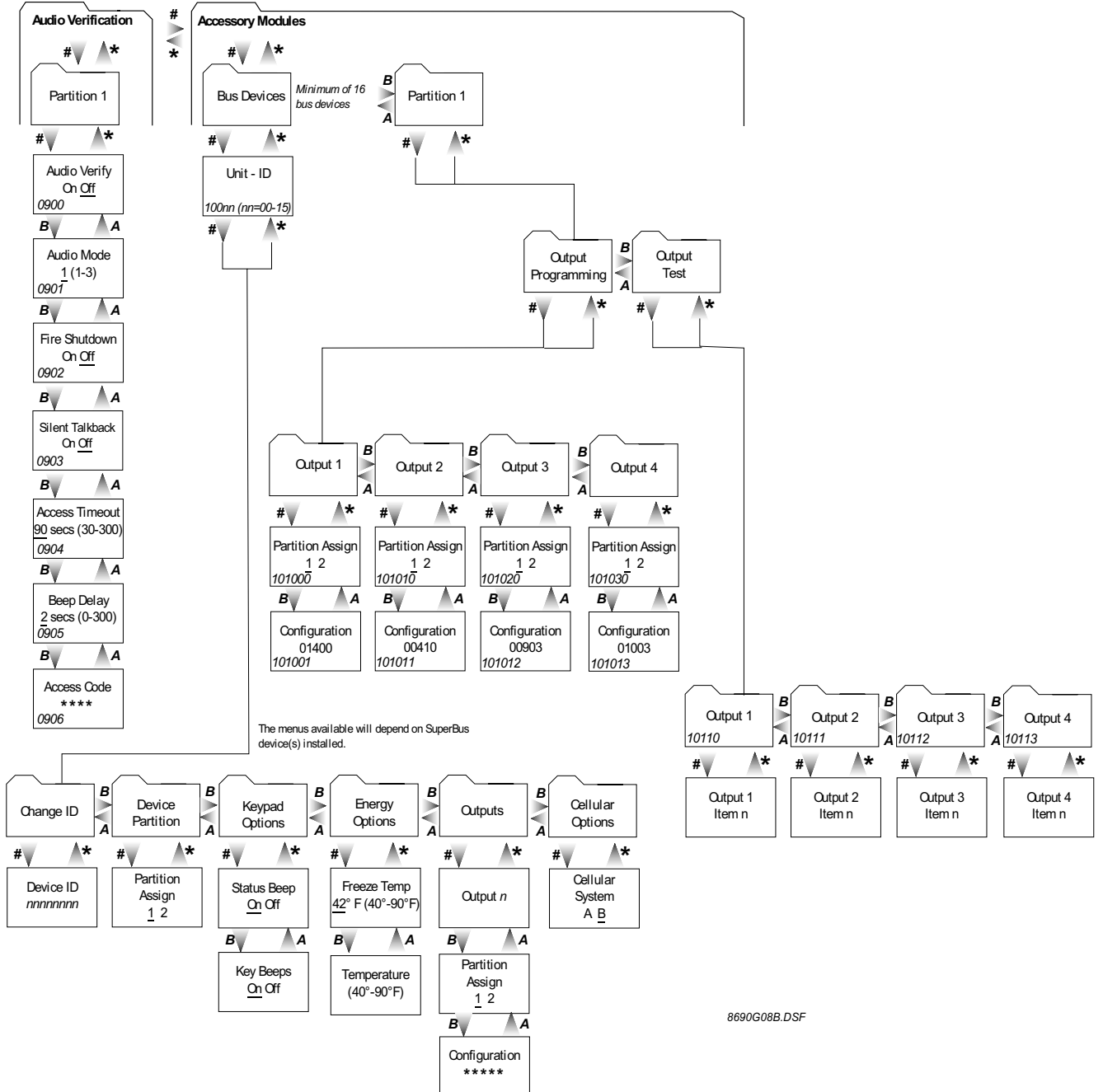
8690G06B.DSF

TIER 2 MENUS (cont.)



8690G07B.DSF

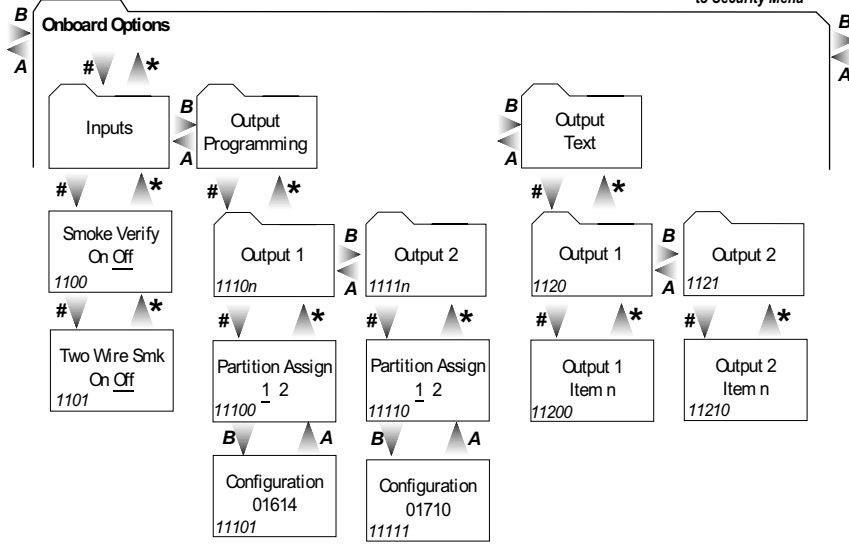
TIER 2 MENUS (cont.)



8690G08B.DSF

TIER 2 MENUS (cont.)

Press B to return to Security Menu



8690G09B.DSF

System Wiring Notes

Note 1

Class II power transformer must be plugged into an unswitched AC power receptacle. Do not short the transformer terminals together. The transformer contains an internal fuse that permanently disables the output if the terminals are shorted.

Note 2

An alphanumeric touchpad is required for on-site programming.

Note 3

Speaker terminals 7 and 8 activate only for alarms in partition 1. Use speakers with an 8-ohm or higher impedance. When connecting two or more 8-ohm speakers, they must be wired in series as shown in the wiring diagram. Wiring two or more 8-ohm speakers in parallel can permanently damage the panel.

Note 4

Onboard outputs 1 and 2 are open-collector type rated for 200 mA maximum. Output 1 defaults to configuration number 01614 (exterior siren). Output 2 defaults to configuration number 01710 (interior siren). Refer to panel installation instructions for all possible settings.

Note 5

Zone (loop) wiring shown is an example that applies to all zones (except when zone 8 is configured for 2-wire smoke detectors). Install EOL resistors across all unused zone (loop) inputs.

Note 6

For UL Listed installations, wire multiple supervised hardwire smoke detectors (10 maximum) only as shown. Maximum 10 uA current draw per detector. Maximum 80 mA current draw in alarm.

Note 7

Some telephones are polarity-sensitive. Green and red wires may need to be reversed.

Note 8

A maximum of two Audio Verification Modules (60-677) are allowed (partition 1 only). Wire multiple speakers in series, and power and microphone wires in parallel. Use shielded cable where shown in diagram to prevent cross-talk between the speaker and microphone. Audio Verification Modules shall not be used in UL Listed installations.

Note 9

Connect multiple piezo sirens in parallel. Slim Line Hardwire Interior Siren status volume switch settings have no effect.

Note 10

Refer to the *SuperBus 2000 Energy Saver Module Installation Instructions* for thermostat wiring details.

Note 11

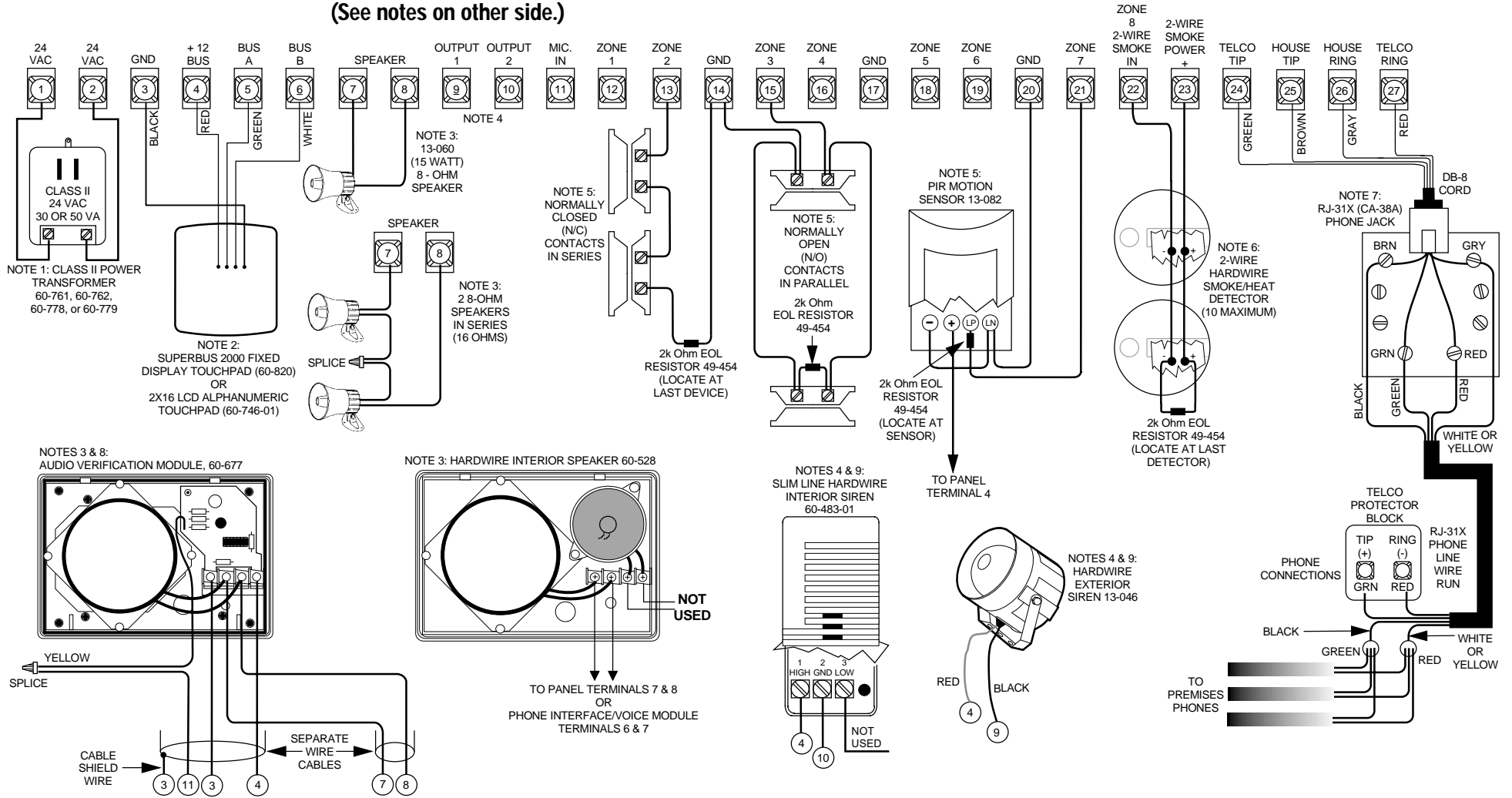
Wire Hardwire Module zone (loop) inputs as shown for the panel. Install EOL resistors across all unused zone (loop) inputs. Refer to the *Module Installation Instructions* for complete details.

SYSTEM WIRING DIAGRAM

(See notes on other side.)

ALL PANEL TERMINAL CONNECTIONS ARE CLASS II POWER LIMITED

8690G13A.DSF



OPTIONAL SUPERBUS 2000 MODULE CONNECTIONS

